



European Technical Assessment

ETA 16/0772
of 21.12.2016



General part

Technical Assessment Body issuing the ETA: ITeC

ITeC has been designated according to Article 29 of Regulation (EU) No 305/2011 and is member of EOTA (European Organisation for Technical Assessment).

Trade name of the construction product

AF Collar C

Product family to which the construction product belongs

Fire stopping and fire sealing products
Penetration seals

Manufacturer

AF SYSTEMS SRL
Via Edward Jenner 41-43
IT-26837 Mulazzano
Italy

Manufacturing plant(s)

According to Annex N kept by ITeC

This European Technical Assessment contains

14 pages including 2 Annexes which form an integral part of this assessment

and

Annex N, which contains confidential information and is not included in the European Technical Assessment when that assessment is publicly available

This European Technical Assessment is issued in accordance with Regulation (EU) 305/2011, on the basis of

ETAG 026, Part 1 edition April 2013 and Part 2 edition August 2011, used as European Assessment Document (EAD)

General comments

Translations of this European Technical Assessment in other languages shall fully correspond to the original issued document.

Communication of this European Technical Assessment, including transmission by electronic means, shall be in full (excepted the confidential Annex(es)).

Specific parts of the European Technical Assessment

1 Technical description of the product

AF Collar C is a pipe closure device used as pipe penetration seal consisting of a fire protective inlay made of intumescent material contained in a U-shaped housing of stainless steel sheet, incorporating flanges for fixing.

AF Collar C is supplied in different sizes depending on the pipe diameter to be protected. Detailed technical specification is given in Annex A.

Assembled penetration seals may require additional components as described in Annex B. These components are not covered by this ETA and cannot be CE marked on its basis.

Description of the installation procedure is given in Annex A.

2 Specification of the intended use(s) in accordance with the applicable EAD

AF Collar C is used to reinstate the resistance to fire performance of rigid floor and flexible or rigid wall constructions where they are penetrated by combustible pipes. The specification of the services that may be protected with AF Collar C are given in Annex B.

The specific elements of construction where the AF Collar C may be used to provide a penetration seal in, are as follows:

- Rigid floors: Aerated concrete floors with a minimum thickness of 150 mm and a minimum density of 500 kg/m³.
- Flexible walls: Walls with a minimum thickness of 120 mm, which comprise timber or steel studs lined on both faces with minimum two layers of 12,5 mm thick 'Type F' or 'Type DF' gypsum plasterboards according to EN 520¹. In timber stud walls, no part of the penetration shall be closer than 100 mm to a stud, the cavity must be closed between the penetration seal and the stud and minimum 100 mm of insulation of reaction to fire class A1 or A2, according to EN 13501-1, is provided within the cavity between the penetration seal and the stud.
- Rigid walls: Concrete or masonry walls with a minimum thickness of 120 mm.

The supporting construction must be classified in accordance with EN 13501-2 for the required fire resistance period.

AF Collar C is intended for environmental conditions as defined for use category Type Y_{2,(-20/70)°C} according to ETAG 026-2: intended for semi-exposed use at temperatures below 0°C, but with no exposure to rain nor UV. Type Y_{2,(-20/70)°C} includes lower use categories (i.e. Type Z₁ and Type Z₂).

The provisions made in this ETA are based on a working life of AF Collar C of at least 10 years, provided that the conditions laid down in the manufacturer's instructions for the installation, use and maintenance are met. These provisions are based upon the current state of the art and the available knowledge and experience.

¹ EN 520. Gypsum plasterboards. Definitions, requirements and test methods.

The indications given as to the working life of the product cannot be interpreted as a guarantee, but are regarded only as a means for choosing the appropriate products in relation to the expected economically reasonable working life of the works.

3 Performance of the product and reference to the methods used for its assessment

3.1 Performance of the product

The assessment of AF Collar C considering the basic requirements for construction works 2 and 3 was performed following the ETAG 026 for *Fire Stopping and Fire Sealing Products, Part 1: General (April 2013) and Part 2: Penetration Seals (August 2011)*, used as EAD.

Table 1: Performance of the product.

Product: AF Collar C		Intended use: Fire penetration seal	
Basic requirement	Essential characteristic		Performance
BWR 2 Safety in case of fire	Reaction to fire	Inlay material	E
		Steel housing	A1
	Resistance to fire		See Annex B
BWR 3 Hygiene, health and the environment	Release of dangerous substances		See 3.2.3
General aspects relating to the performance of the product	Durability		Type Y _{2,(-20/70)°C}

The rest of characteristics included in ETAG 026-2 has not been assessed in this ETA.

3.2 Methods used for the assessment

3.2.1 Reaction to fire

The performance of the AF Collar C inlay material has been tested according to EN ISO 11925-2² and determined according to EN 13501-1³.

The U-shaped housing made of stainless steel has a class A1 according to Decision 96/603/EC and Decision 2000/605/EC.

² EN ISO 11925-2:2010/AC:2011. *Reaction to fire tests. Ignitability of products subjected to direct impingement of flame. Part 2: Single-flame source test.*

³ EN 13501-1:2007+A1:2009. *Fire classification of construction products and building elements. Part 1: Classification using data from reaction to fire tests.*

3.2.2 Fire resistance

Tested and assessed according to EN 1366-3⁴, the fire resistance classification has been defined according to EN 13501-2⁵ and is given in Annex B.

3.2.3 Release of dangerous substances

According to the manufacturer's declaration, the specification of AF Collar C has been compared with the substances listed in Annex VI to Regulation (EC) No 1272/2008 and in EOTA Technical Report 034⁶, to verify that the product does not contain such substances.

In addition to the specific clauses relating to dangerous substances contained in this ETA, there may be other requirements applicable to the products falling within its scope. In order to meet the provisions of the EU Construction Products Regulation, these requirements need also be complied with, when and where they apply.

3.2.4 General aspects relating to the performance of the product

AF Collar C has been tested and assessed for the environmental use category Type Y₂, (-20/70)°C in accordance with ETAG 026-2, section 2.4.12, and the EOTA Technical Report 024⁷, section 4.2.5, table 4.1.

Stainless steel in accordance with EN 10088-1⁸ is intended for use category Type Y₂, (-20/70)°C.

The ETA is issued for the products on the basis of agreed data/information, deposited with the ITeC, in accordance with ETAG 026-2, section 5.

4 Assessment and verification of constancy of performance (AVCP) system applied, with reference to its legal base

According to the Decision 1999/454/EC of the European Commission, the system of AVCP (see EC delegated Regulation (EU) No 568/2014 amending Annex V to Regulation (EU) 305/2011) given in the following table applies.

Table 2: AVCP System.

Product(s)	Intended use(s)	Level(s) or class(es)	System(s)
Fire stopping and fire sealing products	For fire compartmentation and/or fire protection or fire performance	Any	1

⁴ EN 1366-3:2009. *Fire resistance tests for service installations. Part 3: Penetration seals.*

⁵ EN 13501-2:2007+A1:2009. *Fire classification of construction products and building elements. Part 2: Classification using data from fire resistance tests, excluding ventilation services.*

⁶ TR 034 *General ER 3 Checklist for ETAGs/CUAPs/ETAs-Content and/or release of dangerous substances in products/kits*, Edition October 2015.

⁷ TR 024 *Characterisation, Aspects of Durability and Factory Production Control for Reactive Materials, Components and Products*, Edition July 2009.

⁸ EN 10088-1:2014. *Stainless steels. Part 1: List of stainless steels.*

5 Technical details necessary for the implementation of the AVCP system, as foreseen in the applicable EAD

All the necessary technical details for the implementation of the AVCP system are laid down in the *Control Plan* deposited with the ITeC and agreed in accordance with ETAG 026-2, section 3.2.1.

The *Control Plan* is a confidential part of the ETA and only handed over to the notified product certification body involved in the assessment and verification of constancy of performance.

The factory production control operated by the manufacturer shall be in accordance with the above mentioned *Control Plan*.

Issued in Barcelona on 21 December 2016

by the Catalonia Institute of Construction Technology.



Ferran Bermejo Nualart
Technical Director, ITeC

ANNEX A. Description of the product and installation process

A.1. AF Collar C components

AF Collar C is made of the components described in table A.1 and sizes in accordance with table A.2. The housing is manufactured using a 1,5 mm thick steel sheet. The intumescent strip is manufactured at a nominal thickness of 4 mm and the total intumescent thickness of every collar size (b in table A.2) is achieved by adding the required number of intumescent strip layers. The intumescent strip is manufactured at different widths according to the specified collar length (H in table A.2).

Table A.1: Components of AF Collar C.

Part	Material	Dimensions
Housing	Stainless steel AISI 430 (1.4016) According to EN 10088-1	Sheet thickness: 1,5 mm Other dimensions according to collar size (see table A.2 and Figures A.1 to A.3)
		Thickness
Inlay strip	Intumescent material	4 mm (all sizes of AF Collar C)
		Width
		50 mm (AF Collar C 110) 70 mm (AF Collar C 160) 100 mm (AF Collar C 250)

A.2. AF Collar C dimensions

AF Collar C is manufactured in different sizes depending on the service to be protected. The corresponding resistance to fire performance is given in Annex B, depending on the construction elements penetrated by the service and the penetration characteristics.

The AF Collar C types covered by this ETA are given in table A.2 and made from the components described in table A.1.

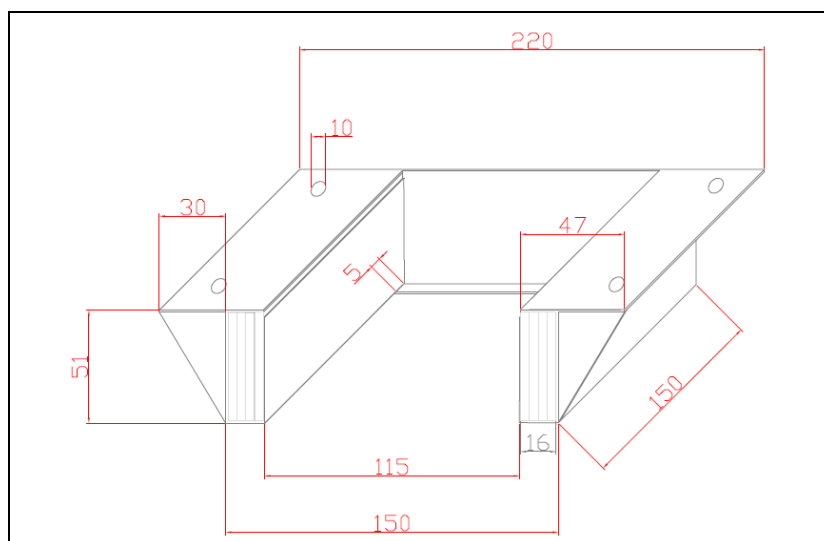


Figure A.1: AF Collar C 110.

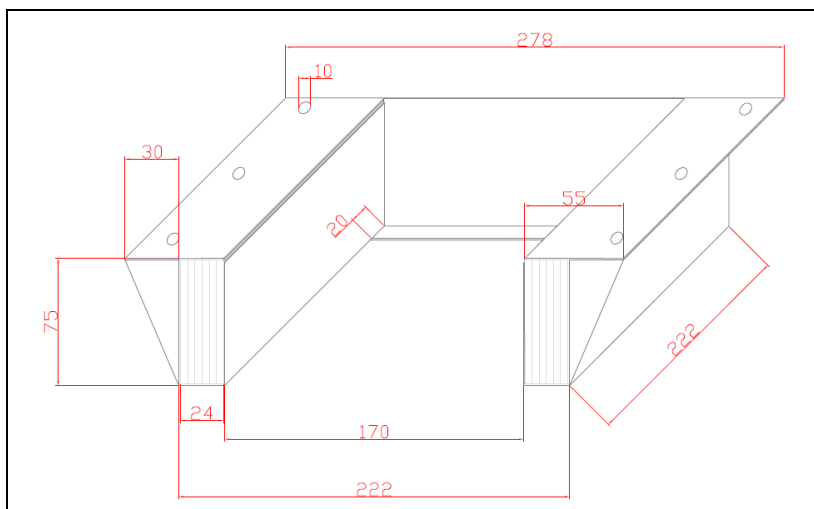


Figure A.2: AF Collar C 160.

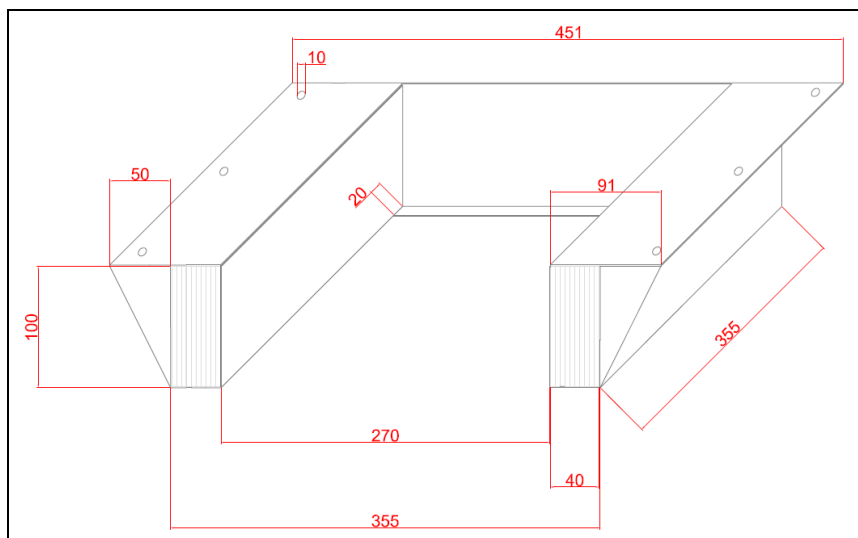


Figure A.3: AF Collar C 250.

The intumescent strip is cut to size and lodged inside the two parallel boxes of the U-shaped housing. The number of layers and dimensions of the strips depend on the collar size as detailed in table A.2 (information given for each of the two boxes).

Table A.2: Dimensions of AF Collar C.

Type	d (mm)	D (mm)	H (mm)	b (mm)	Nº of strip layers	Nº of fixings
AF Collar C 110	115	150	150	16	4	4
AF Collar C 160	170	222	222	24	6	6
AF Collar C 250	270	355	355	40	10	6

A.3. AF Collar C installation

AF Collar C will be installed in accordance with the manufacturer instructions and the provisions established in this section and in the relevant sections of Annex B.

AF Collar C shall be fixed depending on the intended use as follows:

- In floors, at the bottom side by means of Ø8 x 60 mm galvanised steel class 8.8 expansion anchors.
- In flexible walls, by means of Ø8 x 140 mm stainless steel screws at the fire exposed side.
- In rigid walls, by means of Ø8 x 60 mm galvanised steel class 8.8 expansion anchors at the fire exposed side.

The number of fixings will be in accordance with table A.2 depending on collar size

All gaps between penetrations and constructive elements (not greater than 5 mm) shall be filled in with mortar (floors and rigid walls) or gypsum paste (flexible walls), also spread over the constructive element surface around the collar base.

The minimum distance between services penetrating the wall/floor, as well as the minimum distance between services and the constructive element edge, is 200 mm.

The maximum distance from the constructive element to the adequate service support is 500 mm in case of walls (cold side) and floors (upper side).

The following installation provisions will be noted:

- The installation of the penetration seal will not have an effect on the stability of the adjacent building element, even in the event of fire.
- The structural elements related to the wall/floor in which the penetration seal is incorporated will be designed and fire protected in such a way that no additional mechanical load is imposed on the penetration seal.
- The thermal movements of the pipework will be accommodated in such a way that no resulting load is imposed on the penetration seal.
- The services are fixed to the building element in such a way that no additional mechanical load is imposed on the penetration seal in the event of fire.
- The support of the services is maintained during the required period of resistance to fire.
- Pneumatic dispatch systems, compressed air systems, etc. are switched off in the event of fire.

ANNEX B. Resistance to fire performance

B.1. General

The following intended uses are included in this Annex:

- B.2. Plastic pipe penetration seal in a flexible or rigid wall.
- B.3. Plastic pipe penetration seal in a rigid floor.

Regarding the material specification of those services included in this Annex B, pipes will be made from:

- PVC-U according to EN 1329-1⁹, EN 1453-1¹⁰ and EN ISO 1452-1¹¹.
- PVC-C according to EN 1566-1¹².
- PP according to EN 1451-1¹³.
- HDPE according to EN 1519-1¹⁴ or EN 12666-1¹⁵.
- PE according to EN 12201-2¹⁶, EN 1519-1 and EN 12666-1.
- ABS according to EN 1455-1¹⁷.
- SAN+PVC according EN 1565-1¹⁸.

AF Collar C installation procedure shall fully meet the requirements in Annex A.

⁹ EN 1329-1. *Plastics piping systems for soil and waste discharge (low and high temperature) within the building structure. Unplasticized poly(vinyl chloride) (PVC-U). Part 1: Specifications for pipes, fittings and the system.*

¹⁰ EN 1453-1. *Plastics piping systems with structured wall-pipes for soil and waste discharge (low and high temperature) inside buildings. Unplasticized poly(vinyl chloride) (PVC-U). Part 1: Specifications for pipes and the system.*

¹¹ EN ISO 1452-1. *Plastics piping systems for water supply and for buried and above-ground drainage and sewerage under pressure. Unplasticized poly(vinyl chloride) (PVC-U). Part 1: General (ISO 1452-1:2009).*

¹² EN 1566-1. *Plastics piping systems for soil and waste discharge (low and high temperature) within the building structure. Chlorinated poly(vinyl chloride) (PVC-C). Part 1: Specifications for pipes, fittings and the system.*

¹³ EN 1451-1. *Plastics piping systems for soil and waste discharge (low and high temperature) within the building structure. Polypropylene (PP). Part 1: Specifications for pipes, fittings and the system.*

¹⁴ EN 1519-1. *Plastics piping systems for soil and waste discharge (low and high temperature) within the building structure. Polyethylene (PE). Part 1: Specifications for pipes, fittings and the system.*

¹⁵ EN 12666-1. *Plastics piping systems for non-pressure underground drainage and sewerage. Polyethylene (PE). Part 1: Specifications for pipes, fittings and the system.*

¹⁶ EN 12201-2. *Plastics piping systems for water supply, and for drainage and sewerage under pressure. Polyethylene (PE). Part 2: Pipes.*

¹⁷ EN 1455-1. *Plastics piping systems for soil and waste discharge (low and high temperature) within the building structure. Acrylonitrile-butadiene-styrene (ABS). Part 1: Requirements for pipes, fittings and the system.*

¹⁸ EN 1565-1. *Plastics piping systems for soil and waste discharge (low and high temperature) within the building structure. Styrene copolymer blends (SAN+PVC). Part 1: Specifications for pipes, fittings and the system.*

B.2. Resistance to fire classification of plastic pipe penetration seal in a flexible or rigid wall

The flexible wall shall meet the specification given in section 2 of this ETA to achieve the resistance to fire performance given in tables B.2.1 to B.2.3.

The relevant size of AF Collar C will be installed in accordance with Annex A and the pipe diameter specified in tables B.2.1 to B.2.3. AF Collar C will be installed at the fire exposed side of the flexible wall as shown in Figure B.2.1.

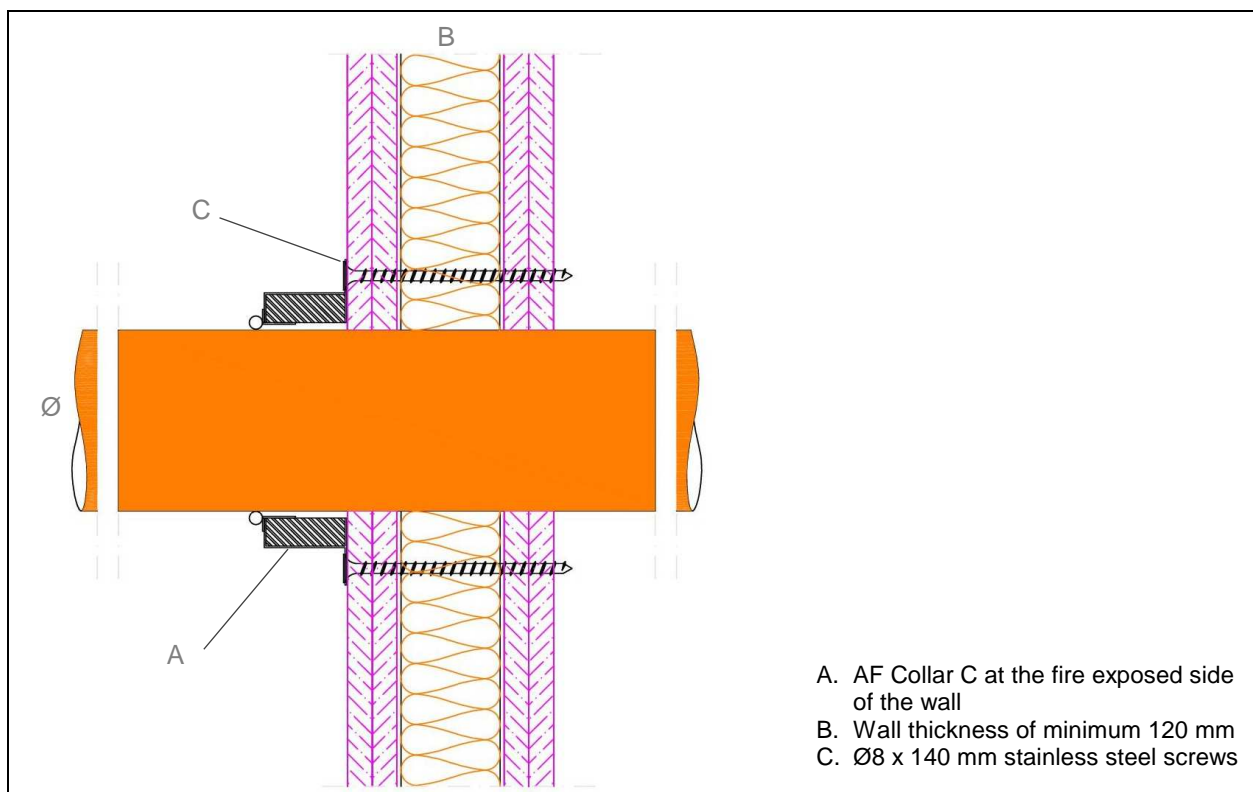


Figure B.2.1: Plastic pipe penetration seal in a flexible wall.

The resistance to fire classification of the wall construction penetrated by combustible pipes is given in tables B.2.1 to B.2.3.

The given resistance to fire performance is also valid for rigid concrete or masonry walls with an overall minimum thickness of 120 mm. In this case, AF Collar C will be fixed by means of Ø8 x 60 mm steel expansion anchors at the fire exposed side of the wall (see section A.3).

The classification given for a pipe end configuration U/U is also valid for any other pipe end configuration (C/U, U/C and C/C). The classification given for a pipe end configuration U/C is also valid for a pipe end configuration C/C.

Table B.2.1: PVC pipes.

AF Collar C type	External pipe diameter Ø (mm)	Pipe wall thickness (mm)	Resistance to fire class
AF Collar C 110	110	5,0	EI 120 U/U
AF Collar C 160	160	3,2	
AF Collar C 250	250	6,2	EI 120 U/C

Table B.2.2: PP pipes.

AF Collar C type	External pipe diameter Ø (mm)	Pipe wall thickness (mm)	Resistance to fire class
AF Collar C 110	110	2,7	EI 120 U/U
AF Collar C 160	160	3,9	
AF Collar C 250	250	10,0	EI 120 U/C

Table B.2.3: HDPE, PE, ABS and SAN+PVC pipes.

AF Collar C type	External pipe diameter Ø (mm)	Pipe wall thickness (mm)	Resistance to fire class
AF Collar C 110	110	7,0	EI 120 U/U
AF Collar C 160	160	6,2	
AF Collar C 250	250	7,7	EI 120 U/C

B.3. Resistance to fire classification of plastic pipe penetration seal in a rigid floor

The rigid floor shall meet the specification given in section 2 of this ETA to achieve the resistance to fire performance given in tables B.3.1 to B.3.3.

The relevant size of AF Collar C will be installed in accordance with Annex A and the pipe diameter specified in tables B.3.1 to B.3.3. AF Collar C will be installed at the bottom side of the floor as shown in Figure B.3.1.

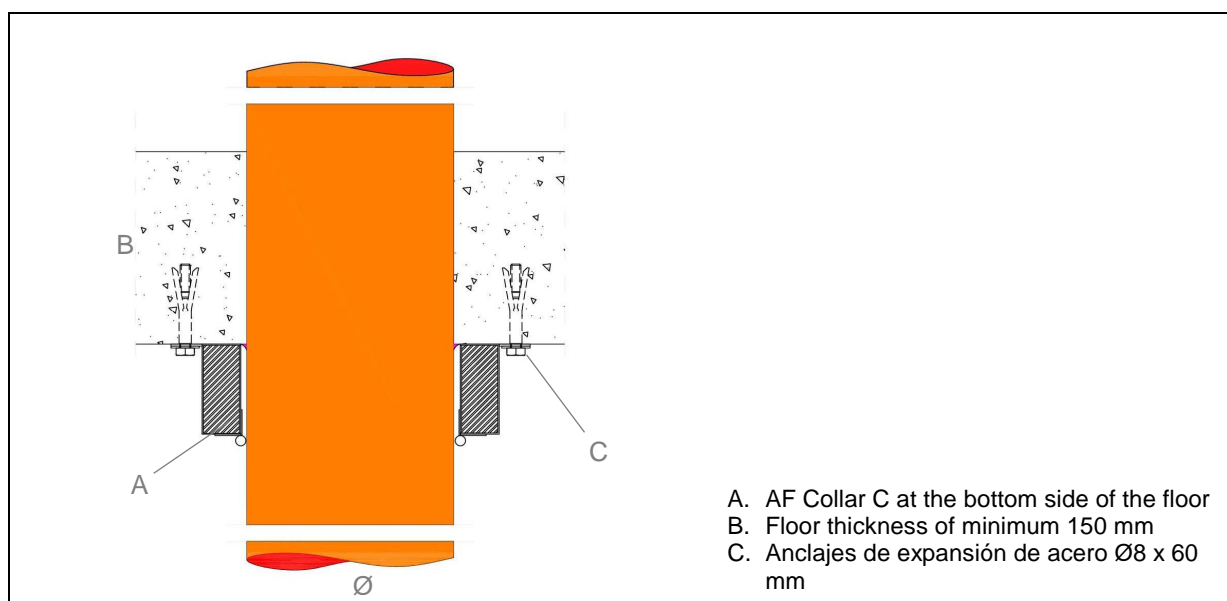


Figure B.3.1: Plastic pipe penetration seal in a rigid floor.

The resistance to fire classification of the rigid floor construction penetrated by combustible pipes is given in tables B.3.1 to B.3.3.

The classification given for a pipe end configuration U/U is also valid for any other pipe end configuration (C/U, U/C and C/C). The classification given for a pipe end configuration U/C is also valid for a pipe end configuration C/C.

Table B.3.1: PVC pipes.

AF Collar C type	External pipe diameter Ø (mm)	Pipe wall thickness (mm)	Resistance to fire class
AF Collar C 110	110	3,2	EI 180 U/U
AF Collar C 160	160		
AF Collar C 250	250	8,0	EI 180 U/C

Table B.3.2: PP pipes.

AF Collar C type	External pipe diameter Ø (mm)	Pipe wall thickness (mm)	Resistance to fire class
AF Collar C 110	110	2,7	EI 180 U/U
AF Collar C 160	160	3,9	
AF Collar C 250	250	16,0	EI 120 U/C

Table B.3.3: HDPE, PE, ABS and SAN+PVC pipes.

AF Collar C type	External pipe diameter Ø (mm)	Pipe wall thickness (mm)	Resistance to fire class
AF Collar C 110	110	4,2	EI 180 U/U
AF Collar C 160	160	6,2	
AF Collar C 250	250	7,7	EI 180 U/C