



**Institut de  
Tecnologia de la Construcció  
de Catalunya**

Wellington 19  
ES08018 Barcelona  
T +34 933 09 34 04  
qualprod@itec.cat  
itec.cat



Member of



www.eota.eu

## European Technical Assessment

**ETA 23/0878**  
of 30.11.2023



### General part

<b>Technical Assessment Body issuing the ETA: ITeC</b>	
ITeC has been designated according to Article 29 of Regulation (EU) No 305/2011 and is member of EOTA (European Organisation for Technical Assessment)	
<b>Trade name of the construction product</b>	<b>Kit Glasroc® X external wall system</b>
<b>Product family to which the construction product belongs</b>	Kits for non-load bearing mineral board external wall systems
<b>Manufacturer</b>	<b>SAINT-GOBAIN CONSTRUCTION PRODUCTS POLSKA SP. Z O. O.</b> ul. Okrężna 16 44-100 Gliwice (Poland)
<b>Manufacturing plant(s)</b>	According to Annex N kept by ITeC.
<b>This European Technical Assessment contains</b>	35 pages including 9 annexes which form an integral part of this assessment.
<b>This European Technical Assessment is issued in accordance with Regulation (EU) 305/2011, on the basis of</b>	EAD 090120-00-0404 <i>Kits for non-load bearing mineral board external wall systems. July 2018.</i>

### **General comments**

Translations of this European Technical Assessment in other languages shall fully correspond to the original issued document and should be identified as such.

Communication of this European Technical Assessment, including transmission by electronic means, shall be in full. However, partial reproduction may be made, with the written consent of issuing Technical Assessment Body. Any partial reproduction has to be identified as such.

## Specific parts of the European Technical Assessment

### 1 Technical description of the product

This ETA refers to the kit Glasroc® X for external wall systems.

This kit consists of eight rendering systems (different combinations of base-coats and finishing coats), the Glasroc® X board (gypsum boards with fibrous reinforcement) as external-board, the internal boards (gypsum boards according to EN 520) and their board-fixings (for galvanized steel subframe).

Kit components are given in table 1.1 related with Glasroc® X external wall systems components.

Detailed information and data of all the components are given in the annexes of this ETA.

**Table 1.1:** External wall system components.

Assembled system layer	Glasroc® X external wall systems	Technical description
Rendering systems (only for Use 1 according to clause 1.2)	FC: Finishing coat	Annex 2
	P: Primer	
	BC: Base-coat	
	M: Reinforcement mesh	
External layer	EB: Glasroc® X board	Annex 3
	E-Fix: Glasroc® X board-fixings	Annex 6
	WPL: Flexible sheet for waterproofing (optional) (*)	
Internal layer	Gypsum boards Placo®, Rigips, British Gypsum & Gyproc	Annex 4
	I-Fix: Internal board-fixings	Annex 4
External subframe (single or double wall)	E-GSF: Galvanized steel C/U-profiles (*)	Annex 5
Internal subframe (double wall)	I-GSF: Galvanized steel C/U-profiles	
Other	Fixings between the substrates and the supporting structure (*)	Annex 5
	Thermal insulation (*)	Annex 6

(\*) These components are not part of the kit but of the assembled system. They are not supplied by the kit manufacturer; however, they are available on the market, and they have to meet the specifications indicated in this ETA (see Annex 5 and Annex 6).

The flexible sheet for waterproofing may be used on the assembled systems depending on the climatic conditions of the works where the system is installed; however, both, the thermal insulation and the fixings between the subframes and the supporting structure are always needed for the execution of the assembled systems and they should be chosen accordingly following the specifications given in this ETA. In the case of the fixings, the supporting structure material and the resistance required due to wind load (shear strength) must be considered.

Other elements of the external walls that neither are part of the kit nor of the system are:

- Internal finishings (e.g., renderings, primers, paints and tiles).
- External finishings<sup>1</sup> (bonded and/or mechanically fixed) in case of the Use 2, used as substrate walls (see clause 1.2).
- Windows and doors.

<sup>1</sup> The exterior finishings are not part of the kit, however, the generic exterior finishings provided for the substrate walls are described in Annex 9.

## 2 Specification of the intended use(s) in accordance with the applicable European Assessment Document (hereinafter EAD)

Kit for Glasroc® X external wall systems is to be used as:

- Use 1: Complete external wall<sup>2</sup> systems in non-ventilated façades when the kit includes the rendering system.
- Use 2: Substrate wall<sup>3</sup> systems in ventilated and non-ventilated façades when the kit does not include the rendering systems.

This ETA covers the kits for family 1 and family 3 (for galvanized steel subframes) according to table 1.1 of EAD 090120-00-0404 as shown in Annex 1.

The provisions made in this European Technical Assessment are based on an assumed working life of at least 25 years for the kits. The indications given on the working life cannot be interpreted as a guarantee given by the producer but are to be regarded only as a means for choosing the right products in relation to the expected economically reasonable working life of the works.

Glasroc® X external wall systems are made of non-load bearing construction components. They do not contribute directly to the stability of the building on which they are installed, but they may contribute to its durability by providing enhanced protection from the effect of weathering.

Glasroc® X external wall systems subframes are interrupted by the structural floors, those external wall systems that are not interrupted by the structural floors (continuous subframes fixed to the front of the structural floors such as in curtain walling) are not covered by this ETA.

Construction details are given in Annex 7.

---

<sup>2</sup> Non load-bearing complete building envelope.

<sup>3</sup> Substrate of exterior finishings (bonded and/or mechanically fixed). In this case, the assessment as complete building envelope (with exposition to external weather conditions) is not part of this ETA.

### 3 Performance of the product and reference to the methods used for its assessment

The assessment of kit for Glasroc® X external wall systems for the intended use was performed following EAD 090120-00-0404 *Kits for non-load bearing mineral board external wall systems*.

**Table 3.1:** Summary of the performance (see also detailed performances in relevant annexes).

Basic Works Requirement	EAD clause	Essential characteristic	Performance	
			Use 1	Use 2
<b>Product:</b> Kit for Glasroc® X external wall system	<b>Intended use:</b>	Use 1: Complete external wall systems in non-ventilated façades when the kit includes the rendering system.		
		Use 2: Substrate wall systems in ventilated and non-ventilated façades when the kit does not include the rendering systems.		
BWR 2 Safety in case of fire	2.2.1	Reaction to fire	See table A1.1.3	See table A1.2.3
	2.2.2	Resistance to fire	See table A1.1.3	See table A1.2.3
	2.2.3	Façade fire performance	Not assessed	
	2.2.4	Propensity to undergo continuous smouldering	Not assessed	
BWR 3 Hygiene, health and the environment	2.2.5	Watertightness (protection against driving rain)	See table A1.1.3	Not assessed
	2.2.6	Water absorption	See table A1.1.3	Not relevant
	2.2.7	Water vapour permeability	See table A1.1.3	Not relevant
	2.2.8	Condensation risk	Not assessed	
	2.2.9	Air permeability	See table A1.1.3	See table A1.2.3
	2.2.10	Content, emission and/or release of dangerous substances	Not assessed	
BWR 4 Safety and accessibility in use	2.2.11	Wind load resistance	See clause 3.1	
	2.2.12	External eccentric vertical load resistance	Not relevant	See table A1.2.3
	2.2.13	Internal eccentric vertical load resistance	Not assessed	
	2.2.14	Internal horizontal linear static load resistance	See table A1.1.3	See table A1.2.3
	2.2.15	External impact resistance	See table A1.1.3	See table A1.2.3
	2.2.16	Internal impact resistance	See table A1.1.3	See table A1.2.3
	2.2.17	Resistance to horizontal point loads	Not assessed	Not relevant
	2.2.18.1	Bond strength	See table A1.1.3	Not relevant
	2.2.18.2	Bending strength of the board	See table A1.1.3	See table A1.2.3
	2.2.18.3	Embedding/Shear strength	See table A1.1.3	See table A1.2.3
BWR 5 Protection against noise	2.2.19	Airborne sound insulation	Family 1: Not assessed. Family 3: See clause 3.2	
	2.2.20	Sound absorption	Not assessed	
BWR 6 Energy economy and heat retention	2.2.21	Thermal resistance	See Annex 8	
	2.2.22	Thermal inertia	Not assessed	
	2.2.23	Heat capacity	Not assessed	
Aspects of durability	2.2.24.1	Accelerated ageing behaviour	See table A1.1.3	See table A1.2.3
	2.2.24.2	Cracking strength due to board deformation	Not assessed	Not relevant
	2.2.24.3	Dimensional stability by humidity	See table A1.1.3	See table A1.2.3
		Dimensional stability by temperature	See table A1.1.3	See table A1.2.3
	2.2.24.4	Moisture content	Not assessed	
	2.2.24.5	Corrosion	Not assessed	
2.2.24.6	UV radiation resistance	Not assessed		

#### Complementary information:

Requirements with respect to the mechanical resistance and stability of non-load bearing parts of the works are not included in the Basic Works Requirement *Mechanical resistance and stability* (BWR 1) but are treated under the Basic Works Requirement *Safety and accessibility in use* (BWR 4).

### 3.1 Wind load resistance

The wind load resistance of the kits has been assessed according to clause 2.2.11 of EAD 090120-00-0404.

Tables A1.1.3 and A1.2.3 in Annex 1 gives the wind load resistance obtained in the tests carried out for Glasroc® X external wall systems with galvanized steel external subframe.

In addition, table 3.1 gives the wind load resistance for other different assembled systems considering the subframe components specifications given in Annex 5.

**Table 3.1:** Wind load resistance for kits with galvanized steel non-slotted C/U-profiles as external subframe.

Span between (mm)		Q (kN/m <sup>2</sup> ) (*)	Failure limit condition
Vertical profiles	Structural floors, L (m)		
400	2,70	< 1,30	L/250 displacement in the vertical profile
	3,00	< 0,95	
	3,50	< 0,60	
600	2,70	< 0,90	L/250 displacement in the vertical profile
	3,00	< 0,65	
	3,50	< 0,40	

(\*) Calculated values using simple beam uniformly distributed load formulas including safety factors  $\gamma_Q = 1,50$ ;  $\gamma_m = 1,10$ . Values for the weakest galvanized steel external subframe (width 75 mm, thickness 1 mm). Span between board-fixings is 250 mm .

In other configurations of the assembled system (other subframe components), the wind load resistance may be calculated according to:

- Maximum tension of the vertical profiles, see elastic limit of profile material in Annex 5.
- Maximum deflection of the vertical profiles, L/250.
- Resistance of the external-board and its connection with the subframe. See Annex 3.
- This calculated wind load value should not be greater than the maximum resistance given in tables A1.1.3 or A1.2.3 of Annex 1.

### 3.2 Airborne sound insulation

The airborne sound insulation is to be assessed by means of the following characteristics:

- Airborne sound insulation of the assembled system defined in table 3.2, according to clause 2.2.19.1 of EAD 090120-00-0404.
- Airflow resistivity of the assembled system thermal insulation according to clause 2.2.19.2 of EAD 090120-00-0404. Airflow resistivity has not been assessed.

**Table 3.2:** Airborne sound insulation test results.

Test	Specimen	Thickness (mm)	Mass per unit area (kg/m <sup>2</sup> )	Results
Airborne sound insulation	Double wall (*) Family 3	165,5	43,6	$R_w (C; C_{tr}) = 63 (-2; -5) \text{ dB}$
$R_w$ = weighted sound reduction weighted index.				
(*) Double wall configuration: Glasroc® X board with joint treatment without rendering system. Galvanized steel external subframe 75 mm width, 1 mm thickness, span 400 mm, thermal insulation MW 65 mm thickness, 20 kg/m <sup>3</sup> density. Galvanized steel internal subframe 48 mm width, 0,6 mm thickness, span 400 mm, thermal insulation MW 45 mm. Elastic joint in the subframes perimeter. Two internal boards (IB1) with joint treatment.				

#### 4 Assessment and verification of constancy of performance (hereinafter AVCP) system applied, with reference to its legal base

According to the decision 2003/640/EC, as amended of the European Commission<sup>4</sup>, the systems of AVCP (see EC delegated regulation (EU) No 568/2014 amending Annex V to Regulation (EU) 305/2011) given in the following table apply.

**Table 4.1:** Applicable AVPC system.

Product	Intended use	Level or class	System	
Kits for non-load bearing mineral board external wall systems	Complete external wall	not subject to fire regulations	Any	2+
		subject to fire regulations	B-s1,d0	3
	Substrate wall	not subject to fire regulations	Any	2+
		subject to fire regulations	A1	4

#### 5 Technical details necessary for the implementation of the AVCP system, as foreseen in the applicable EAD

All the necessary technical details for the implementation of the AVCP system are laid down in the *Control Plan* deposited with the ITeC<sup>5</sup>, with which the factory production control shall be in accordance.

Issued in Barcelona on 30 November 2023

by the Catalonia Institute of Construction Technology.



Ferran Bermejo Nualart  
Technical Director, ITeC

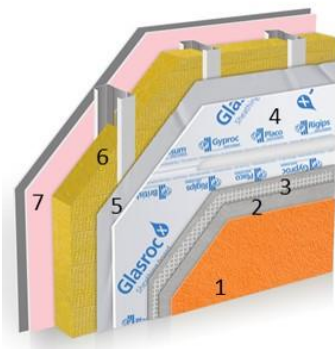
<sup>4</sup> 2003/640/EC – Commission Decision of date 4 September 2003, published in the Official Journal of the European Union (OJEU) L226/21 of 10/09/2003.

<sup>5</sup> The *Control Plan* is a confidential part of the ETA and is only handed over to the notified certification body involved in the assessment and verification of constancy of performance.

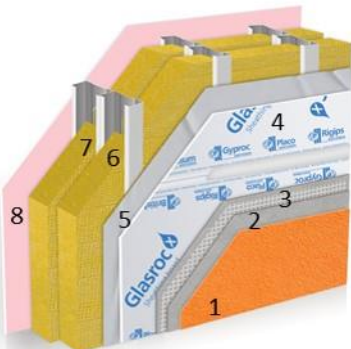
## ANNEX 1 - GLASROC® X EXTERNAL WALL SYSTEMS

### A1.1 – COMPLETE EXTERNAL WALL SYSTEMS

**Table A1.1.1:** Description of Glasroc® X external wall systems – Family 1.

	<b>Family 1 – single wall without internal horizontal profile</b>	
	<b>Use 1:</b> Complete building envelope in non-ventilated façades <b>Release scenario with respect to dangerous substances:</b> IA2: Indirect contact to indoor air. S/W2: Product with indirect contact to soil, ground- and surface water. <b>Subframe material:</b> Galvanized steel.	
<ol style="list-style-type: none"> <li>1. Finishing coat.</li> <li>2. Primer.</li> <li>3. Base-coat and reinforcement mesh.</li> <li>4. External-board and joint treatment.</li> <li>5. Flexible sheet for waterproofing (optional).</li> <li>6. Subframe and thermal insulation.</li> <li>7. Two internal-boards and joint treatment.</li> </ol>	<b>System main components:</b>	
	Rendering system	See Annex 2
	External layer	Glasroc® X board External board-fixing
	Internal layer	Gypsum board (x 2) Internal board-fixing
	External subframe (*)	See Annex 5
	Flexible sheet for waterproofing (*)	See Annex 6
	Thermal insulation (*)	
	Fixings between the subframes and the substrate (*)	See Annex 5
(*) These components are not part of the kit but of the assembled system. They are not supplied by the manufacturer; however, they are available on the market and they have to meet the specifications indicated in the respective annexes.		

**Table A1.1.2:** Description of Glasroc® X external wall systems – Family 3.

	<b>Family 3 – double wall without intermediate board</b>	
	<b>Use 1:</b> Complete building envelope in non-ventilated façades <b>Release scenario with respect to dangerous substances:</b> IA2: Indirect contact to indoor air. S/W2: Product with indirect contact to soil, ground- and surface water. <b>Subframe material:</b> Galvanized steel.	
<ol style="list-style-type: none"> <li>1. Finishing coat.</li> <li>2. Primer.</li> <li>3. Base-coat and reinforcement mesh.</li> <li>4. External-board and joint treatment.</li> <li>5. Flexible sheet for waterproofing (optional).</li> <li>6. External subframe and thermal insulation.</li> <li>7. Internal subframe and thermal insulation.</li> <li>8. Two internal-boards and joint treatment.</li> </ol>	<b>System main components:</b>	
	Rendering system	See Annex 2
	External layer	Glasroc® X board External board-fixing
	Internal layer	Gypsum board (x 2) Internal board-fixing
	External subframe (*)	See Annex 5
	Internal subframe (*)	
	Flexible sheet for waterproofing (*)	See Annex 6
	Thermal insulation (*)	
	Fixings between the subframes and the substrate (*)	See Annex 5
(*) These components are not part of the kit but of the assembled system. They are not supplied by the manufacturer; however, they are available on the market and they have to meet the specifications indicated in the respective annexes.		

**Complete non-load bearing external wall systems**

**Glasroc® X external wall systems with rendering**

**Annex A1.1**

of European Technical  
Assessment ETA 23/0878



**Table A1.1.3:** Performance for Glasroc® X external wall systems. Families 1 and 3.

Nr	Essential characteristic	Kit for Glasroc® X external wall systems relevant configuration	Performance			
<b>Basic Works Requirement 2: Safety in case of fire</b>						
1	Reaction to fire (external surface)	Glasroc® X board (EB1) as external-board and rendering system (Var1 to Var8)	B-s1,d0			
	Reaction to fire (internal surface)	Internal gypsum boards (IB1 to IB5)	A2-s1,d0			
2	Resistance to fire	PPF (fire resistant wallboard) internal boards (IB1) and mineral wool thermal insulation (simple and double wall)	EI 90 (o ↔ i)			
		Other internal boards (IB2 to IB5)	Not assessed			
3	Façade fire performance		Not assessed			
4	Propensity to undergo continuous smouldering		Not assessed			
<b>Basic Works Requirement 3: Hygiene, health and the environment</b>						
5	Watertightness (protection against driving rain)	Glasroc® X (EB1) as external-board, any rendering system (Var1 to Var8) with and without flexible sheet of waterproofing (WPL1 to WPL3)	1350 Pa without water penetration			
6	Water absorption by capillarity	Glasroc® X (EB1) as external-board and rendering system (Var1 to Var3)	without ageing	(3 min) kg/m <sup>2</sup>	(1 h) kg/m <sup>2</sup>	(24 h) kg/m <sup>2</sup>
			after hygrothermal cycles	0,12	0,19	0,42
		Glasroc® X (EB1) as external-board and base coat (BC1)	without ageing	0,02	0,01	0,07
			after hygrothermal cycles	0,01	0,01	0,09
		Glasroc® X (EB1) as external-board and rendering system (Var4 to Var6)	without ageing	0,11	0,04	0,33
			after hygrothermal cycles	0,11	0,02	0,20
		Glasroc® X (EB1) as external-board and base-coat (BC2)	without ageing	0,10	0,12	0,59
			after hygrothermal cycles	0,13	0,13	0,53
		Glasroc® X (EB1) as external-board and rendering system (Var7 & Var8)	without ageing	0,02	0,04	0,26
			after hygrothermal cycles	0,02	0,02	0,10
Glasroc® X (EB1) as external-board and base-coat (BC3)	without ageing	0,17	0,09	0,51		
	after hygrothermal cycles	0,28	0,48	0,61		
Water permeability (water column)			Not assessed			
Water absorption of the board	Glasroc® X (EB1)		< 100 g/m <sup>2</sup> in 2 h (partial immersion) < 5% (total immersion)			
	Internal gypsum boards (IB1- to IB5)		Not assessed			
Watertightness of the breather membrane	Flexible sheet for waterproofing (WPL1 to WPL3)		Not assessed			
7	Water vapour permeability of the rendering system	Var1 to Var8 on Glasroc® X (EB1)	Not assessed			
	Water vapour permeability of the boards	Glasroc® X (EB1)	$\mu = 18,2$			
		Internal gypsum boards without vapour control (IB1 to IB4)	$\mu = 10$ (dry) / 4 (wet)			
		Vapour control internal gypsum boards (IB5)	sd = 1500 m			
	Water vapour permeability of the thermal insulation	Mineral Wool	Not assessed (thermal insulation is not a kit component)			
Water vapour permeability of the breather membrane	Flexible sheet for waterproofing (WPL1 to WPL3)		Not assessed (flexible sheet for waterproofing is not a kit component)			
8	Condensation risk		Not assessed			

**Complete non-load bearing external wall systems****Glasroc® X external wall systems with rendering****Annex A1.1**

of European Technical Assessment ETA 23/0878


Nr	Essential characteristic	Kit for Glasroc® X external wall systems relevant configuration	Performance				
9	Air permeability	Glasroc® X (EB1) with rendering system	Class A4 0,00 m³/m²·h at 50 Pa; < 1,50 m³/m²·h at 100 Pa to 600 Pa				
10	Content, emission and/or release of dangerous substances		Not assessed				
<b>Basic Works Requirement 4: Safety and accessibility in use</b>							
11	Wind load resistance	Glasroc® X board (EB1) with 600 mm span between vertical profiles.	1500 Pa; $\delta \leq L/250$ See also clause 3.1				
		Glasroc® X board (EB1), with 400 mm span between vertical profiles 1 mm thickness.	1800 Pa; $\delta \leq L/250$ See also clause 3.1				
		Glasroc® X board (EB1), with 400 mm span between vertical profiles 75 mm width and 2 mm thickness.	2300 Pa; $\delta \leq L/250$ See also clause 3.1				
		Glasroc® X board (EB1), with 400 mm span between vertical profiles 100 mm width and 2 mm thickness.	2600 Pa; $\delta \leq L/250$ See also clause 3.1				
12	External eccentric vertical load resistance (for Use 2)		Not relevant				
13	Internal eccentric vertical load resistance		Not assessed				
14	Internal horizontal linear static load resistance		1,93 kN/m (at 40 mm deflection)				
15	External impact resistance	Glasroc® X (EB1) with rendering system, external galvanized steel external subframe with minimum width 75 mm, minimum thickness 1 mm and maximum span between vertical profiles 600 mm.	Resists (Category I): - Hard body 0,5 kg, 3 J - Hard body 1,0 kg, 10 J - Soft body 3,0 kg, 60 J - Soft body 50,0 kg, 400 J				
16	Internal impact resistance	Double internal-board (IB1 to IB5), galvanized steel internal subframe minimum width 48 mm width, minimum thickness 0,6 mm with maximum span 600 mm.	Resists (Category III): - Hard body 0,5 kg, 6 J - Hard body 1,0 kg, 10 J - Soft body 50,0 kg, 120 J - Soft body 50,0 kg, 300 J - Soft body 50,0 kg, 500 J - Soft body 50,0 kg, 900 J				
17	Resistance to horizontal point loads (for Use 1)		Not assessed				
18	Bond strength	Glasroc® X (EB1) as external-board and rendering system (Var1 to Var3)	without ageing	Mean (R <sub>m</sub> ) MPa	Min. (R <sub>min</sub> ) MPa	Rupture (*)	
			after hygrothermal cycles	0,32	0,26	100% CP	
			after freeze-thaw cycles	0,27	0,21	100% CP	
		Glasroc® X (EB1) as external-board and base-coat (BC1)	without ageing	Not relevant			
			after hygrothermal cycles	0,24	0,21	100% CP	
		Glasroc® X (EB1) as external-board and rendering system (Var4 to Var6)	without ageing	0,18	0,15	100% CP	
			after hygrothermal cycles	0,23	0,19	100% CP	
		Glasroc® X (EB1) as external-board and base-coat (BC2)	without ageing	Not relevant			
			after hygrothermal cycles	0,20	0,17	100% CP	
		Glasroc® X (EB1) as external-board and base-coat (BC3)	without ageing	0,30	0,21	100% CP	
			after hygrothermal cycles	0,24	0,21	100% CP	
		Glasroc® X (EB1) as external-board and rendering system (Var7 to Var8)	without ageing	0,28	0,21	100% CP	
			after hygrothermal cycles	0,23	0,17	100% CP	
		Glasroc® X (EB1) as external-board and base-coat (BC3)	without ageing	Not relevant			
			after hygrothermal cycles	0,35	0,27	100% CP	
		19	Bending strength of the board	Glasroc® X (EB1)	Longitudinal	8,4 MPa	
Transversal	6,5 MPa						
<b>Complete non-load bearing external wall systems</b>			<b>Annex A1.1</b>				
<b>Glasroc® X external wall systems with rendering</b>			of European Technical Assessment ETA 23/0878				

Nr	Essential characteristic	Kit for Glasroc® X external wall systems relevant configuration	Performance
		Internal-boards (IB1 to IB5)	See table A4.2
20	Embedding/Shear strength	Glasroc® X (EB1) and screw (EFix1) Ø4,8 mm ( $a_{edge} \geq 15$ mm)	$F_m = 461$ N; $F_c = 309$ N
21	Pull-through resistance	Glasroc® X (EB1) and screw (E-Fix1) Ø4,8 mm ( $a_{edge} \geq 15$ mm). Galvanized steel profile minimum thickness 1 mm.	$F_m = 392$ N; $F_c = 292$ N
	Pull-out resistance		
22	Resistance of profiles	Galvanized steel subframes profiles	Not assessed (subframe profile is not a kit component)
<b>Basic Works Requirement 5: Protection against noise</b>			
23	Airborne sound insulation	Family 1 (single wall)	Not assessed
		Family 3 (double wall)	See clause 3.2
	Airflow resistivity of the thermal insulation	Mineral wool	Not assessed (thermal insulation is not a kit component)
24	Sound absorption	Internal gypsum boards (IB1 to IB5)	Not assessed
<b>Basic Works Requirement 6: Energy economy and heat retention</b>			
25	Thermal resistance	Assembled system configurations given in Annex 8	See Annex 8
		Other assembled system configurations	Not assessed
26	Thermal inertia		Not assessed
27	Heat capacity		Not assessed
<b>Aspects of durability</b>			
28	Accelerated ageing behaviour	Hygrothermal behaviour	No defects (see also points 6 & 18 in this table)
		Freeze thaw behaviour	Not relevant. Water absorption < 0,50 kg/m <sup>2</sup>
		Combined hygrothermal and freeze thaw behaviour	Not assessed
29	Cracking strength due to board deformation		Not assessed
30	Dimensional stability by humidity. Expansion (30 % to 90 %)	Glasroc® X (EB1)	0,031 %
	Linear thermal expansion	Glasroc® X (EB1)	0,008 mm/m·°C
		Galvanized steel subframes	$\alpha = 12 \mu\text{m/m}\cdot\text{K}^{-1}$ for $T \leq 100$ °C
31	Moisture content	Glasroc® X (EB1)	Not assessed
32	Corrosion	Board-fixing	See table A3.3
		Galvanized steel subframe	Not assessed (subframes are not kit components)
33	UV radiation resistance	Flexible sheet for waterproofing (WPL1 to WPL3)	Not assessed (flexible sheet for waterproofing is not a kit component)
(*) CP = Cohesive rupture in the Glasroc® X Board.			


<b>Complete non-load bearing external wall systems</b>	<b>Annex A1.1</b> of European Technical Assessment ETA 23/0878
<b>Glasroc® X external wall systems with rendering</b>	

## A1.2 – SUBSTRATE WALL SYSTEMS

**Table A1.2.1:** Description of Glasroc® X external wall systems – Family 1.

	<b>Family 1 – single wall without internal horizontal profile</b>		
	<b>Use 2:</b> Substrate of exterior finishings in ventilated and non-ventilated façades <b>Release scenario with respect to dangerous substances:</b> IA2: Indirect contact to indoor air. S/W2: Product with indirect contact to soil, ground- and surface water.  <b>Subframe material:</b> Galvanized steel.		
<ol style="list-style-type: none"> <li>1. External-board and joint treatment.</li> <li>2. Flexible sheet for waterproofing (optional).</li> <li>3. Subframe and thermal insulation.</li> <li>4. Two internal-boards and joint treatment.</li> </ol>	<b>System main components:</b>		
	External layer	Glasroc® X board	See Annex 3
		External board-fixing	
	Internal layer	Gypsum board (x 2)	See Annex 4
		Internal board-fixing	
		External subframe (*)	See Annex 5
		Flexible sheet for waterproofing (*)	See Annex 6
	Thermal insulation (*)		
	Fixings between the subframes and the substrate (*)	See Annex 5	
(*) These components are not part of the kit but of the assembled system. They are not supplied by the manufacturer; however, they are available on the market and they have to meet the specifications indicated in the respective annexes.			

**Table A1.2.2:** Description of Glasroc® X external wall systems – Family 3.

	<b>Family 3 – double wall without intermediate board</b>		
	<b>Use 2:</b> Substrate of exterior finishings in ventilated and non-ventilated façades <b>Release scenario with respect to dangerous substances:</b> IA2: Indirect contact to indoor air. S/W2: Product with indirect contact to soil, ground- and surface water.  <b>Subframe material:</b> Galvanized steel.		
<ol style="list-style-type: none"> <li>1. External-board and joint treatment.</li> <li>2. Flexible sheet for waterproofing (optional).</li> <li>3. External subframe and thermal insulation.</li> <li>4. Internal subframe and thermal insulation.</li> <li>5. Two internal-boards and joint treatment.</li> </ol>	<b>System main components:</b>		
	External layer	Glasroc® X board	See Annex 3
		External board-fixing	
	Internal layer	Gypsum board (x 2)	See Annex 4
		Internal board-fixing	
		External subframe (*)	See Annex 5
		Internal subframe (*)	
		Flexible sheet for waterproofing (*)	See Annex 6
	Thermal insulation (*)		
	Fixings between the subframes and the substrate (*)	See Annex 5	
(*) These components are not part of the kit but of the assembled system. They are not supplied by the manufacturer; however, they are available on the market and they have to meet the specifications indicated in the respective annexes.			

**Substrate non-load bearing external wall systems**

**Glasroc® X external wall systems without rendering**

**Annex A1.2**

of European Technical Assessment ETA 23/0878

**Table A1.2.3:** Performance for Glasroc® X external wall systems. Families 1 and 3.

Nr	Essential characteristic	Kit for Glasroc® X external wall systems relevant configuration	Performance			
<b>Basic Works Requirement 2: Safety in case of fire</b>						
1	Reaction to fire (external surface)	Glasroc® X (EB1)	A1			
	Reaction to fire (internal surface)	Internal gypsum boards (IB1 to IB5)	A2-s1,d0			
2	Resistance to fire	PPF (Fire resistant wallboard) internal boards (IB1) and mineral wool thermal insulation (simple and double wall)	EI 90 (o ↔ i)			
		Other internal boards (IB2 to IB5)	Not assessed			
3	Façade fire performance		Not assessed			
4	Propensity to undergo continuous smouldering		Not assessed			
<b>Basic Works Requirement 3: Hygiene, health and the environment</b>						
5	Watertightness (protection against driving rain)		Not assessed. For use with watertight exterior-finishing.			
6	Water absorption by capillarity		Not relevant.			
	Water permeability (water column)		Not relevant.			
	Water absorption of the boards	Glasroc® X (EB1)	< 100 g/m <sup>2</sup> in 2 h (partial immersion) < 5% (total immersion)			
		Internal gypsum boards (IB1- to IB5)	Not assessed			
Watertightness of the breather membrane		Flexible sheet for waterproofing (WPL1 to WPL3)	Not assessed			
7	Water vapour permeability of the boards	Glasroc® X (EB1)	$\mu = 18,2$			
		Internal gypsum boards without vapour control (IB1 to IB4)	$\mu = 10$ (dry) / 4 (wet)			
		Vapour control internal gypsum boards (IB5)	sd = 1500 m			
	Water vapour permeability of the thermal insulation	Mineral Wool	Not assessed (thermal insulation is not a kit component)			
Water vapour permeability of the breather membrane		Flexible sheet for waterproofing (WPL1 to WPL3)	Not assessed (flexible sheet for waterproofing is not a kit component)			
8	Condensation risk		Not assessed			
9	Air permeability	Glasroc® X (EB1) with a bonded exterior finishing (e.g., ETICS)	Class A4 0,00 m <sup>3</sup> /m <sup>2</sup> ·h at 50 Pa; < 1,50 m <sup>3</sup> /m <sup>2</sup> ·h at 100 to 600 Pa			
		Glasroc® X (EB1) without a bonded exterior finishing (e.g., cladding kit)	Not assessed			
10	Content, emission and/or release of dangerous substances		Not assessed			
<b>Basic Works Requirement 4: Safety and accessibility in use</b>						
11	Wind load resistance	Glasroc® X board (EB1) with 600 mm span between vertical profiles.	1500 Pa; $\delta \leq L/250$ See also clause 3.1			
		Glasroc® X board (EB1), with 400 mm span between vertical profiles 1 mm thickness.	1800 Pa; $\delta \leq L/250$ See also clause 3.1			
		Glasroc® X board (EB1), with 400 mm span between vertical profiles 75 mm width and 2 mm thickness.	2300 Pa; $\delta \leq L/250$ See also clause 3.1			
		Glasroc® X board (EB1), with 400 mm span between vertical profiles 100 mm width and 2 mm thickness.	2600 Pa; $\delta \leq L/250$ See also clause 3.1			
12	External eccentric vertical load resistance (for Use 2)	Assembled system with galvanized steel external subframe vertical profile thickness $\geq 2$ mm	Mechanically fixed bracket (e.g., cladding system)	$F_{md1} = 329$	$F_{md3} = 1290$ $F_{cd3} = 1077$	$F_{mu} = 9368$ $F_{cu} = 3579$
			Mechanically fixed plastic punctual fixing (e.g., ETICS)	$F_{md1} = 5,5$	$F_{md3} = 13,7$ $F_{cd3} = 8,3$	$F_{mu} = 92,7$ $F_{cu} = 77,0$
		Other vertical profile external subframe thickness	Not assessed			
<b>Substrate non-load bearing external wall systems</b>			<b>Annex A1.2</b> of European Technical Assessment ETA 23/0878			
<b>Glasroc® X external wall systems without rendering</b>						

Nr	Essential characteristic	Kit for Glasroc® X external wall systems relevant configuration	Performance
13	Internal eccentric vertical load resistance		Not assessed
14	Internal horizontal linear static load resistance		1,93 kN/m (at 40 mm deflection)
15	External impact resistance	Glasroc® X (EB1) with rendering system, external galvanized steel external subframe with minimum width 75 mm, minimum thickness 1 mm and maximum span between vertical profiles 600 mm.	Resists: - Soft body 3,0 kg, 60 J - Soft body 50,0 kg, 400 J
16	Internal impact resistance	Double internal-board (IB1 to IB5), galvanized steel internal subframe minimum width 48 mm width, minimum thickness 0,6 mm with maximum span 600 mm.	Resists (Category III): - Hard body 0,5 kg, 6 J - Hard body 1,0 kg, 10 J - Soft body 50,0 kg, 120 J - Soft body 50,0 kg, 300 J - Soft body 50,0 kg, 500 J - Soft body 50,0 kg, 900 J
17	Resistance to horizontal point loads (for Use 1)		Not relevant
18	Bond strength		Not relevant.
19	Bending strength of the board	Glasroc® X (EB1)	Longitudinal 8,4 MPa Transversal 6,5 MPa
		Internal-boards (IB1 to IB5)	See table A4.2
20	Embedding/Shear strength	Glasroc® X (EB1) and screw (E-Fix1) Ø4,8 mm ( $a_{edge} \geq 15$ mm)	$F_m = 461$ N; $F_c = 309$ N
21	Pull-through resistance	Glasroc® X (EB1) and screw (E-Fix1) Ø4,8 mm ( $a_{edge} \geq 15$ mm). Galvanized steel profile minimum thickness 1 mm.	$F_m = 392$ N; $F_c = 292$ N
	Pull-out resistance		
22	Resistance of profiles		Not assessed (subframe profile is not a kit component)
<b>Basic Works Requirement 5: Protection against noise</b>			
23	Airborne sound insulation	Family 1 (single wall)	Not assessed
		Family 3 (double wall)	See clause 3.2
	Airflow resistivity of the thermal insulation	Mineral wool	Not assessed (thermal insulation is not a kit component)
24	Sound absorption	Internal gypsum boards (IB1 to IB5)	Not assessed
<b>Basic Works Requirement 6: Energy economy and heat retention</b>			
25	Thermal resistance	Assembled system configurations given in Annex 8	See Annex 8
		Other assembled system configurations	Not assessed
26	Thermal inertia		Not assessed
27	Heat capacity		Not assessed
<b>Aspects of durability</b>			
28	Accelerated ageing behaviour	Hygrothermal behaviour	No defects, but the flexible waterproofing sheet is needed.
		Freeze thaw behaviour	Not relevant
		Combined hygrothermal and freeze thaw behaviour	Not assessed
29	Cracking strength due to board deformation		Not relevant
30	Dimensional stability by humidity (30 % to 90 %)	Glasroc® X (EB1)	0,031 %
	Linear thermal expansion	Glasroc® X (EB1) Galvanized steel subframe	0,008 mm/m·°C $\alpha = 12 \mu\text{m}/\text{m}\cdot\text{K}^{-1}$ for $T \leq 100$ °C
31	Moisture content	Glasroc® X (EB1)	Not assessed
32	Corrosion	Board-fixing	See table A3.3
		Galvanized steel subframe	Not assessed (subframes are not kit components)
33	UV radiation resistance	Flexible sheet for waterproofing (WPL1 to WPL3)	Not assessed (flexible sheet for waterproofing is not a kit component)

Substrate non-load bearing external wall systems

Glasroc® X external wall systems without rendering

Annex A1.2

of European Technical Assessment ETA 23/0878



## ANNEX 2 - RENDERING SYSTEMS COMPONENTS

Characteristic		Types							
		Var1	Var2	Var3	Var4	Var5	Var6	Var7	Var8
Generic components	Finishing coat (FC)	FC1	FC2	FC3	FC1	FC2	FC3	FC4	FC5
	Primer (P)	P1						P3	P2
	Base-coat (BC)	BC1			BC2			BC3	
	Reinforcement mesh (M)	M1							
Range of application thickness (mm)		5,0 – 8,2	5,0 – 8,2	3,5 – 6,2	5,0 – 8,2	5,0 – 8,2	3,5 – 6,2	4,5 – 6	4,5 – 6
Mass per square meter (kg/m <sup>2</sup> )		7,5 – 11,6	6,8 – 10,5	4,7 – 7,8	7,5 – 11,6	6,8 – 10,5	4,7 – 7,8	6,8 – 9,7	6,8 – 9,7
PCS <sub>s</sub> -value (i)	(MJ/kg)	≤ 1,73	≤ 1,84	≤ 1,84	≤ 2,29	≤ 2,29	≤ 2,62	≤ 2,62	≤ 2,62
	(MJ/m <sup>2</sup> )	≤ 44,6	≤ 42,8	≤ 42,8	≤ 53,5	≤ 50,9	≤ 51,2	≤ 51,2	≤ 51,2
Reaction to fire		B-s1,d0							
Water absorption by capillarity (kg/m <sup>2</sup> ) (i)	after 3 min. (ii)	0,11	0,11 (iv)	0,11	0,04	0,12 (iv)	0,12	0,013	0,013
	after 1 h. (iii)	0,04	0,04 (iv)	0,04	0,03	0,19 (iv)	0,19	0,026	0,033
	after 24 h. (iii)	0,29	0,33 (iv)	0,33	0,12	0,42 (iv)	0,42	0,201	0,253
Bond strength (MPa) (i)	Mean	0,33	0,32 (iv)	0,32	0,23	0,23 (iv)	0,30	0,28	0,28
	Minimum	0,29	0,29 (iv)	0,29	0,19	0,19 (iv)	0,23	0,25	0,21
	Cohesive rupture	100%	100% (iv)	100%	100%	100% (iv)	100%	100%	100%
Thermal conductivity - λ <sub>23/80</sub> W/(m·K) (i)		ND	ND	ND	ND	ND	ND	ND	ND
Thermal resistance - R <sub>23/80</sub> (m <sup>2</sup> ·K/W) (i)		ND	ND	ND	ND	ND	ND	ND	ND
(i) Rendering system applied on the Glasroc® X board (EB1). (ii) Values from initial immersion. (iii) Values from 3 minutes immersion. (iv) Rendering system variant not tested. Maximum values have been defined. (v) Rendering system variant not tested. Minimum values have been defined. ND = Not defined by the manufacturer.									

Generic component	Code	Trade name	Reference
Finishing coat	FC1	webertene classic L (Spain) - webercote acrylcover M (Italy) - webertene stilo /cromasil (others)	EN 15824
	FC2	webertene classic XL (Spain) - webercote acrylcover G (Italy) - webertene geos (others)	EN 15824
	FC3	webertene advance S (Spain) - webercote siloxcover F (Italy)- webertene micro (others)	EN 15824
	FC4	webertene advance M (Spain) - webercote siloxcover R (Italy) - webertene habitat (others)	EN 15824
	FC5	webercote acrylcover R (Italy)	EN 15824
Primer (before render or paint)	P1	webertene primer (CS plus)	EN 1062-1
	P2	RA13 (Italy)	EN 1062-1
	P3	RC14 (Italy)	EN 1062-1
Base-coat	BC1	webertherm base	EN 998-1
	BC2	webertherm flex B	EN 15824
	BC3	webertherm AP 60 TOP F	EN 998-1
Reinforcement mesh	M1	webertherm mesh 160	ETA 13/0392

Rendering systems  
Technical description

**Annex A2**  
of European Technical  
Assessment ETA 23/0878

Characteristics	Reference	FC1	FC2	FC3	FC4	FC5
Trade name	---	See table A2.2	See table A2.2	See table A2.2	See table A2.2	See table A2.2
Generic type	EN 15824	(*)	(*)	(*)	(*)	(*)
Range of application thickness (mm)	---	2,0 – 3,0	2,5 – 3,0	1,0 – 2,0	1,5 – 2,0	1,5 – 2,0
Coverage (kg/m <sup>2</sup> per 1 mm thickness)	---	≤ 1,6	≤ 1,7	≤ 1,5	≤ 1,4	≤ 1,5
Particle size (%)	A.4 of EAD 090120-00-0404	1,5	2,5	0,8	1,2	1,2
Weight (kg) as delivery	---	25 ± 0,5 per bucket (paste)	25 ± 0,5 per bucket (paste)	25 ± 0,5 per bucket (paste)	25 ± 0,5 per bucket (paste)	25 ± 0,5 per bucket (paste)
Density of hardened mortar (kg/m <sup>3</sup> )	A.3.3 of EAD 090120-00-0404	1700 - 1800	1750 - 1850	1750 - 1850	1750 - 1850	1700 - 1800
Static modulus of elasticity at break (MPa)	A.7 of EAD 090120-00-0404	0,51	0,46	0,33	ND	ND
Tensile strength at break (MPa)		> 0,9 (on plaster); > 0,3 (following EN1542)	> 0,9 (on plaster); > 0,3 (following EN1542)	> 0,7 (on plaster); > 0,3 (following EN1542)	> 0,7 (on plaster); > 0,3 (following EN1542)	> 0,9 (on plaster); > 0,3 (following EN1542)
Elongation at break (%)		2,50	3,14	0,93	ND	ND
Water absorption (kg/m <sup>2</sup> .h <sup>0,5</sup> )	EN 1062-3	W2	W2	W2	W2	W2
Water vapour permeability, Sd (m)	EN ISO 7783	V2 sd ≥ 0,14 sd < 1,40	V2 sd = 0,25	V1 sd = 0,11	V1 sd = 0,11	V2 sd = 0,25
Dry extract – paste (%)	A.5 of EAD 090120-00-0404	80 - 89	80 - 89	80 – 89	80 – 89	80 – 89
Ash content (%) at 450 °C	A.6.1 of EAD 090120-00-0404	76 - 80	ND	74 - 78	75 - 79	76 - 80
Organic content (%)	---	11 - 12	11 - 12	11 - 12	11 - 12	11 - 12
PCS <sub>S</sub> -value (MJ/kg)	EN ISO 1716	≤ 3,10	≤ 3,10	≤ 3,10	≤ 2,50	≤ 2,50
Reaction to fire	EN 13501-1	A2-s1,d0	A2-s1,d0	A2-s1,d0	A2-s1,d0	A2-s1,d0
Thermal conductivity λ <sub>10,drv(p=50%)</sub> (W/m·K)	EN 1745	1,17	1,10	1,00	1,10	1,13

ND = Not defined by the manufacturer.  
 (\*) Renders and internal plasters based on organic binders.  
 "----" = not applicable.

Characteristics	Reference	P1	P2	P3
Trade name	---	webertene primer (CS Plus)	RA13 (Italy)	RC14 (Italy)
Generic type	EN 1062-1	Aqueous dispersion of synthetic resins resistant to alkalis	Aqueous dispersion of synthetic resins resistant to alkalis	Aqueous dispersion of synthetic resins resistant to alkalis
Range of application thickness (mm)	---	≤ 0,2	≤ 0,05	≤ 0,05
Coverage (kg/m <sup>2</sup> per 1 mm thickness)	---	≤ 0,5	≤ 0,5	≤ 0,5
Density of delivered product – liquid (kg/m <sup>3</sup> )	A.3.1 of EAD 090120-00-0404	1550 ± 95	1000 ± 50	1150 ± 50
Dry extract – liquid (%)	A.5 of EAD 090120-00-0404	65 ± 3	52 ± 5	10.4 ± 3
Ash content (%) at 450 °C	A.6.1 of EAD 090120-00-0404	50 ± 2	14 ± 2	2 ± 1
PCS <sub>S</sub> -value (MJ/kg)	EN ISO 1716	6,68	ND	ND

ND = Not defined by the manufacturer.  
 "----" = not applicable.

**Rendering systems**  
 Technical description

**Annex A2**  
 of European Technical  
 Assessment ETA 23/0878



Characteristics		Reference	BC1	BC2	BC3
Trade name		---	webertherm base	webertherm flex B	webertherm AP 60 TOP F
Designation		EN 998-1	GP – General purpose rendering/plastering mortar	---	GP – General purpose rendering/plastering mortar
		EN 15824	---	Renders and internal plasters based on organic binders	---
Range of application thickness (mm)		---	3 – 6	3 – 5	3 -4
Coverage (kg/m <sup>2</sup> per 1 mm thickness)		---	≤ 1,5	1,5 – 2,0	1,5 – 2,0
Density of delivered product (kg/m <sup>3</sup> )		EN 1015-6 or A.3.1 of EAD 090120-00-0404	1200 – 1400 (powder)	1700 ± 170 (paste)	1300 – 1400 (powder)
Weight per bag (kg) as delivery (dry mortar)		---	25 ± 1	---	25 ± 0,25
Water-product ration		---	5,5 – 6,5 litres per bag (25 kg)	---	5,0 – 5,5 litres per bag (25 kg)
Particle size (%)		A.4 of EAD 090120-00-0404	≤ 1,0	≤ 0,5	≤ 0,6
Density of hardened mortar (kg/m <sup>3</sup> )		EN 1015-10	1300 - 1500	1100 - 1300	1350 - 1450
Water absorption (kg/m <sup>2</sup> .min <sup>0,5</sup> )		EN 1015-18	W2 (≤ 2)	---	W2
Water vapour resistance factor, μ		EN 1015-19	≤ 10	ND	≤ 30
Flexural strength (MPa)		EN 1015-11	≥ 2,0	---	≥ 2,0
Compressive strength (MPa)			≥ 3,5 (CSIII)	---	≥ 10,0 (CSIV)
Static modulus of elasticity at break (MPa)		A.7 of EAD 090120-00-0404	< 7000	10,1	7000
Elongation at break (%)			---	2	---
Shrinkage - 28 d (mm/m)		A.7.1 of EAD 090120-00-0404	< 2	---	---
Dry extract – paste (%)		A.5 of EAD 090120-00-0404	---	81,5 ± 4,0	---
Ash content (%) at 450 °C		A.6.1 of EAD 090120-00-0404	90 ± 1	86,5 ± 1,3	95,5 – 96,5
PCS <sub>s</sub> -value (MJ/kg)		EN ISO 1716	0,59	2,35	0,2 (referred to the similar product but with a 1,4 mm grain size)
Water absorption by capillarity (kg/m <sup>2</sup> ) (*)	after 3 min. (**)	Annex E of EAD 090120-00-0404	0,10	0,02	0,170
	after 1 h. (***)		0,12	0,01	0,082
	after 24 h. (***)		0,59	0,07	0,501
Bond strength (MPa) (*)	Mean	EN 1015-12	0,24	0,30	0,35
	Minimum		0,21	0,21	0,27
	Cohesive rupture		100%	100%	100%
(*) Base-coat applied on the Glasroc® X board (GX).					
(**) Values from initial immersion.					
(***) Values from 3 minutes immersion.					
ND = Not defined by the manufacturer.					
“---” = not applicable.					

<b>Table A2.6: REINFORCEMENT MESH.</b>			
<b>Characteristics</b>	<b>Reference</b>	<b>M1</b>	
Trade name	---	webertherm mesh 160 (webertherm RE160)	
Designation	ETA 13/0392	R 131 A101	
Generic type		Glass fibre reinforcing mesh	
Thickness (mm)		0,52 ± 0,20	
Mass per unit area (g/m <sup>2</sup> )		160 ± 5	
Ash content (%) at 625 °C		A.6.2 of EAD 090120-00-0404	82 ± 1
Organic content (%)	ETA 13/0392	20 ± 4	
Mesh size (mm)		3,5 x 3,8	
Tensile strength (N/mm)		without ageing	≥ 36
		after conditioning	≥ 20
	residual (%)	≥ 50	
Elongation (%) in standard conditions		3,8	
PCS <sub>s</sub> -value (MJ/kg)	EN ISO 1716	4,49	
ND = Not defined by the manufacturer. "---" = not applicable.			

## ANNEX 3 – EXTERNAL LAYER

Generic component		Code	Trade name	Reference
External board		EB1	Glasroc® X board	EN 15283-1
Joint filler for Glasroc® X board		EJF1 = BC1	webertherm base	EN 998-1
		EJF2 = BC2	webertherm flex B	EN 15824
		EJF3 = BC3	webertherm AP 60 TOP F	EN 998-1
Joint tape for Glasroc® X board		EJT1 = M1	webertherm mesh 160 (cut 10 cm)	ETA 13/0392
External board-fixings	for galvanized steel subframe	E-Fix1	Glasroc® X external wall fixing	EN 14566
ND = Not defined by the manufacturer.				

Characteristics		Reference	EB1
Trade name		---	Glasroc® X board
Designation			GM-FH1
Thickness (mm)		EN 15283-1	12,5 ± 0,7
Width (mm)			≤ 1200
Length (mm)			≤ 3000
Density (kg/m <sup>3</sup> )		EN 520	832 - 944
Mass per unit area (kg/m <sup>2</sup> )		---	10,4 – 11,8
Breaking load (N)	Longitudinal	EN 15283-1	≥ 540
	Transversal		≥ 210
Board fixing pull-thorough design load (N)			≥ 300
Water absorption	Partial (g/m <sup>2</sup> in 2 h)	EN 15283-1	< 100
	Total (%)		< 5
Water vapour resistance factor, μ		EN 15283-1	18,2
Dimensional stability by humidity		EN 12467	< 0,005
Linear thermal expansion (mm/m.°C)		EN 14581	0,008
PCS <sub>s</sub> -value (MJ/kg)		EN ISO 1716	2,99
Reaction to fire		EN 13501-1	A1
Thermal conductivity (W/(m·K))		EN 10456	0,30
Board fixings distance range (mm)		---	Between 150 mm to 250 mm
ND = Not defined by the manufacturer. “---” = not applicable.			

Characteristics		Reference	E-Fix1
Trade name		---	Glasroc® X external wall fixing
Generic type		EN 14566	Drywall self-drilling screw for steel profile thickness up to 2,4 mm
Designation			Class 48/TSD
Diameter x length (mm)			4,2 x 25
Head diameter (mm)			11,0
Pin shape			Drill point
Material type		---	Steel with covering of zinc and niquel
Reaction to fire		EN 13501-1	A1
“---” = not applicable.			

## ANNEX 4 - INTERNAL LAYER

Generic component	Code	Trade name	Reference
Gypsum internal-board without vapour barrier	IB1	Placo <sup>®</sup> , Rigips, British Gypsum & Gyproc Fire resistant wallboards.	EN 520
	IB2	Placo <sup>®</sup> , Rigips, British Gypsum & Gyproc standard wallboards.	
	IB3	Placo <sup>®</sup> , Rigips, British Gypsum & Gyproc moisture resistant wallboards.	
	IB4	Placo <sup>®</sup> , Rigips, British Gypsum & Gyproc Habito wallboards.	
Gypsum internal-board with vapour barrier	IB5	Placo <sup>®</sup> , Rigips, British Gypsum & Gyproc vapour control wallboards.	EN 14190
Joint filler for gypsum internal-boards	IJF1	Placo <sup>®</sup> Rigips, British Gypsum & Gyproc Air drying jointing compound.	EN 13963
	IJF2	Placo <sup>®</sup> Rigips, British Gypsum & Gyproc setting jointing compound.	
Joint tape for gypsum internal-boards	IJT1	Placo <sup>®</sup> Rigips, British Gypsum & Gyproc paper-tape.	
Gypsum internal board-fixings	I-Fix1	Placo <sup>®</sup> Rigips, British Gypsum & Gyproc TTTC.	EN 14566

Characteristics		Reference	IB1		IB2		IB3	IB4	IB5	
Trade name		---	See tabe A4.1		See tabe A4.1		See tabe A4.1	See tabe A4.1	See tabe A4.1	
Designation		EN 520 / EN 14190	I-D-F		A		H1	D-F-I-R	---	
Thickness	Board (mm)		12,5	15,0	12,5	15,0	12,5	12,5	12,5	
	Aluminium sheet (µm)		---		---		---	---	8	
Width (mm)			1200							
Length (mm)			2000-3000		2000-3000		2000-3000	2400-3000	2500-3000	
Mass per unit area (kg/m <sup>2</sup> )			12,0	14,5	8,1	9,7	10,0	12.2	8,1	
Apparent density -dry (kg/m <sup>3</sup> )			960		648		800	976	648	
Paper grammage (g/m <sup>2</sup> )			EN ISO 536	≤ 220		≤ 220		≤ 220	≤ 220	≤ 220
Aluminium density (kg/m <sup>3</sup> )			EN 12524	---		---		---	---	2700
Flexural breaking load longitudinal direction (N)			EN 520	500	650	500	650	550	1000	550
Flexural breaking load transversal direction (N)		210		250	210	250	210	400	210	
Reaction to fire		EN 520 / EN 14190	A2-s1,d0							
Thermal conductivity (W/(m·K))		EN ISO 10456	≤ 0,25						≤ 160	
Water vapour diffusion coefficient			µ = 10 (dry) / 4 (wet)						Sd = 1500 m	
Specific heat capacity (J/kg·K)			1000							
Water absorption total immersion (%)		EN 520	ND	ND	ND	≤ 5	ND	ND		
Water absorption partial immersion (g/m <sup>2</sup> )		EN 520	ND	ND	ND	< 180	ND	ND		

ND = Not defined by the manufacturer.

**Gypsum internal boards and ancillary components**  
Technical description

**Annex A4**  
of European Technical  
Assessment ETA 23/0878

<b>Table A4.3: JOINT FILLER FOR GYPSUM INTERNAL BOARDS.</b>			
<b>Characteristics</b>	<b>Reference</b>	<b>IJF1</b>	<b>IJF2</b>
Trade name	---	Placo® Rigips, British Gypsum & Gyproc SN	Placo® Rigips, British Gypsum & Gyproc PR
Designation	EN 13963	3A	3B
Reaction to fire	EN 13963 / EN 13501-1	A2-s1d0	A1
Flexural strength	EN 13963	ND	ND
ND = Not defined by the manufacturer. "---" = not applicable.			

<b>Table A4.4: JOINT TAPE FOR GYPSUM INTERNAL OR INTERMEDIATE BOARDS.</b>			
<b>Characteristics</b>	<b>Reference</b>	<b>IJT1</b>	
Trade name	---	Placo® Rigips, British Gypsum & Gyproc paper-tape	
Generic type	EN 13963	ND	
Width (mm)		50	
Thickness (mm)		ND	
Mass (g/m)	---	ND	
ND = Not defined by the manufacturer. "---" = not applicable.			

<b>Table A4.5: FIXINGS FOR INTERNAL-BOARDS.</b>			
<b>Characteristics</b>	<b>Reference</b>	<b>I-Fix1</b>	
Trade name	---	Placo® Rigips, British Gypsum & Gyproc TTPC	
Generic type	EN 14566	Drywall drilling screw for steel profile thickness up to 1,0 mm	
Designation		Class 48/TMN	
Diameter x length (mm)		3,5 x (L ≥ 25)	
Head diameter (mm)		8,0	
Pin shape		Normal point	
Material type	---	Steel with covering phosphated	
Reaction to fire	EN 13501-1	A1	
"---" = not applicable.			

## ANNEX 5 - SUBFRAMES

### A5.1 EXTERNAL SUBFRAME COMPONENTS (Family 1 & Family 3)

These components are not part of the kit but of the assembled system. They are not supplied by the kit manufacturer, however, they are available on the market and they have to meet the specifications indicated in the subsequent table.

Table A5.1: TYPE OF GALVANIZED STEEL EXTERNAL SUBFRAME for Family 1 & Family 3.			
Components		GSF1	
Vertical profile	Shape	C-profile	
	Galvanized steel type	DX51D (1.0226) or greater resistance steel	
	Corrosion protection	+ Z275 or greater galvanized covering	
	Minimum dimensions	Thickness (mm)	≥ 1,0
		Web width (mm)	≥ 73,5
		Flange width (mm)	≥ 47
	Minimum cross-section (mm <sup>2</sup> )	≥ 175	
	Minimum moment of inertia	I <sub>xx</sub> (cm <sup>4</sup> )	≥ 16,4
I <sub>yy</sub> (cm <sup>4</sup> )		≥ 4,8	
Span between two vertical profiles (mm)	400 or 600		
Horizontal profile (rail)	Shape	U-profile	
	Galvanized steel type	DX51D (1.0226) + Z275 or higher galvanized covering	
	Minimum dimensions	Thickness (mm)	≥ 0,7
		Web width (mm)	≥ 75
		Flange width (mm)	≥ 40
Minimum cross-section (mm <sup>2</sup> )	≥ 107		
Fixings between the horizontal profile (rail) and the supporting structure	Generic type	The fixings between the horizontal profile (rail) and the supporting structure must be chosen taking into account the structure material (e.g. normal concrete, cracked concrete, steel structure, etc.) and also the minimum specifications indicated in this table.	
	Minimum diameter (mm)	≥ 6,0	
	Material (*)	Stainless steel (A2 or A4) or galvanized steel.	
	Minimum pull-out strength (**)	Greater than the reaction due to dead load and wind load.	
	Minimum shear strength	Greater than the reaction due to wind load.	
	Other	Reference	The fixings between the horizontal profile (rail) and the supporting structure may be CE marked according to an ETA on the basis of the relevant EAD as long as this CE marking is mandatory in the Member State where the kit is used.
Serviceability		The serviceability conditions such as load directions, material of supporting structure (concrete type, steel type, etc.), minimum distance to edges, etc. must be taken into account.	
(*) The fixing material must guarantee the electrochemical compatibility between the different materials.			
(**) Minimum pull-out strength must be guaranteed on substrate material.			

## A5.2 INTERNAL SUBFRAME COMPONENTS (Family 3)

These components are not part of the kit but of the assembled system. They are not supplied by the kit manufacturer, however, they are available on the market and they have to meet the specifications indicated in the subsequent table.

Components		GSF2	
Vertical profile	Shape	C-profile	
	Galvanized steel type	DX51D (1.0226) or greater resistance steel	
	Corrosion protection	+ Z140 or greater galvanized covering	
	Minimum dimensions	Thickness (mm)	≥ 0,6
		Web width (mm)	≥ 46,5
		Flange width (mm)	≥ 36
	Minimum cross-section (mm <sup>2</sup> )	≥ 70	
	Minimum moment of inertia	I <sub>xx</sub> (cm <sup>4</sup> )	≥ 2,6
I <sub>yy</sub> (cm <sup>4</sup> )		≥ 0,9	
Span between two vertical profiles (mm)	400 or 600		
Horizontal profile (rail)	Shape	U-profile	
	Galvanized steel type	DX51D (1.0226) + Z275 or higher galvanized covering	
	Minimum dimensions	Thickness (mm)	≥ 0,55
		Web width (mm)	≥ 48
		Flange width (mm)	≥ 30
Minimum cross-section (mm <sup>2</sup> )	≥ 59		
Fixings between the horizontal profile (rail) and the supporting structure	Generic type	The fixings between the horizontal profile (rail) and the supporting structure must be chosen taking into account the structure material (e.g. normal concrete, cracked concrete, steel structure, etc.) and also the minimum specifications indicated in this table.	
	Minimum diameter (mm)	≥ 6,0	
	Material (*)	Stainless steel (A2 or A4) or galvanized steel.	
	Other	Reference	The fixings between the horizontal profile (rail) and the supporting structure may be CE marked according to an ETA on the basis of the relevant EAD as long as this CE marking is mandatory in the Member State where the kit is used.
Serviceability		The serviceability conditions such as load directions, material of supporting structure (concrete type, steel type, etc.), minimum distance to edges, etc. must be taken into account.	
(*) The fixing material must guarantee the electrochemical compatibility between the different materials.			
(**) Minimum pull-out strength must be guaranteed on substrate material.			

## ANNEX 6 - OTHER COMPONENTS

### A6.1 – MINERAL WOOL THERMAL INSULATION

<b>Table A6.1.1: MINERAL WOOL THERMAL INSULATION.</b>	
<b>Generic component</b>	<b>Reference</b>
Thermal insulation to be incorporated in the cavities of external and internal subframes (*)	EN 13162
(*) Thermal insulation material must be rigid enough in order to prevent the downfall of the material.	

<b>Table A6.1.2: MINERAL WOOL.</b>		
<b>Characteristics</b>	<b>Reference</b>	<b>Value</b>
Generic type	EN 13162	Mineral Wool (MW)
Thickness (mm)	EN 823	70 or 90 (external subframe) 45 or 70 (internal subframe)
Density (kg/m <sup>3</sup> )	EN 13162	20
Short term water absorption by partial immersion (kg/m <sup>2</sup> )	EN 1609	< 1,0
Long term water absorption by total immersion (%)	EN 12087	< 5,0
Reaction to fire	EN 15301-1	A1
Water vapour permeability - $\mu$	EN ISO 10456	$\mu = 1$
Airflow resistivity (kPa·s/m <sup>3</sup> )	EN 29053	$\geq 5$
Sound absorption coefficient	UNE-EN ISO 354	0,60 - 1,0
Thermal conductivity and thermal resistance - $\lambda_D$ (W/(m·K))	EN 13162	$\leq 0,036$
Specific heat capacity (J/kg·K)	EN ISO 10456	800
Dimensional stability at 23°C & 90% RH	EN 1604	$\Delta\epsilon d < 1,0$
Durability	EN 13162	Acceptable for reaction to fire and thermal conductivity
(*) The values indicated in Annex 9 are calculated with $\lambda_D = 0,036$ W/(m·K).		



**A6.2 - FLEXIBLE SHEET FOR WATERPROOFING (OPTIONAL)**

Generic component	Code	Trade name	Reference
Flexible sheet for waterproofing	WPL-1	R.F sheet (Dupont™ Tyvek® 2066B)	EN 13859-2
	WPL-2	Standard sheet (Dupont™ Tyvek® 1060B)	
	WPL-3	Standard sheet (Placotherm® Membrane)	

Characteristic	Reference	WPL-1	WPL-2	WPL-3
Trade name	---	R.F sheet (Dupont™ Tyvek® 2066B)	Standard sheet (Dupont™ Tyvek® 1060B)	Standard sheet (Placotherm® Membrane)
Generic type	EN 13859-2	Water vapour permeable water barrier		
Thickness (mm)	EN 1849-2	0,175		0,600
Mass per unit area (g/m <sup>2</sup> )		68 ± 6	60 ± 5	130 ± 5
Reaction to fire	EN 13501-1	B-s1,d0	E	E
Water vapour transmission – Sd (m)	EN ISO 12572	≤ 0,025		≤ 0,020
Watertightness	EN 1928 (method A)	W1	W1	W1
Water column (m)	EN 20811	1,3	1,5	3,0
Maximum tensile strength (N) per 50 mm	EN 12311-1	MD: 300 ± 50 XD: 300 ± 50	MD: 310 ± 50 XD: 310 ± 50	MD: 300 ± 50 XD: 280 ± 50
Elongation at maximum tensile strength (%)		MD: 16 ± 5 XD: 18 ± 5	MD: 17 ± 5 XD: 20 ± 5	MD: 55 ± 5 XD: 35 ± 5
Resistance to tearing - nail shank (N)	EN 12310-1	MD: 50 ± 20 XD: 50 ± 20	MD: 55 ± 20 XD: 50 ± 20	MD: 130 ± 20 XD: 150 ± 20
Artificial ageing by UV and heat (relative values: after/before aged)	Maximum tensile strength (%)	EN 1297 & EN 1296 EN 12311-1	MD: 240 ± 50 XD: 240 ± 60	MD: 80 XD: 80
		Elongation at maximum tensile strength (%)	MD: 10 ± 4 XD: 12 ± 5	MD: 70 XD: 70
	Watertightness		EN 1297 & EN 1296 EN 1928 (method A)	W1

MD = machine direction (longitudinal). XD = transverse (cross) direction.  
 ND = Not defined by the manufacturer.  
 "---" = not applicable.

**Flexible sheet for waterproofing (optional)**  
 Technical description

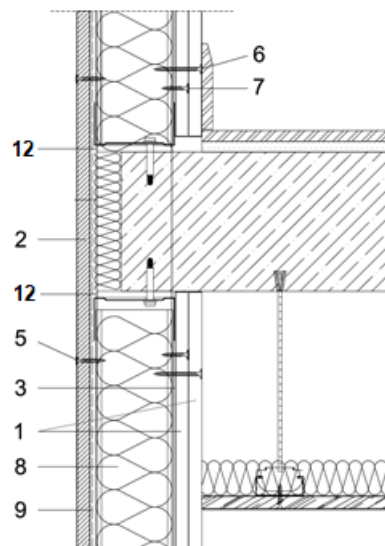
**Annex A6.2**  
 of European Technical  
 Assessment ETA 23/0878

## ANNEX 7 - CONSTRUCTION DETAILS

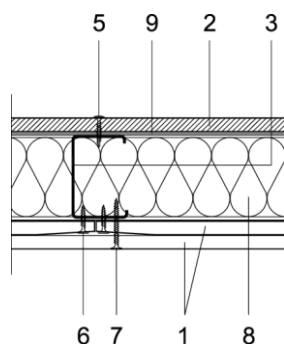
### A7.1 – SINGLE WALL WITHOUT INTERNAL HORIZONTAL PROFILE (Family 1)

**Legend for Family 1 kit (single wall):**

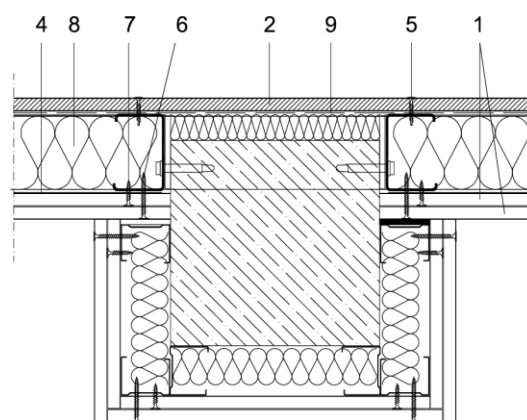
1. Internal-board (x2).
2. External board Glasroc® X.
3. Vertical profile.
4. Horizontal profil (rail).
5. External board-fixing.
6. Internal board-fixing (one layer).
7. Internal board-fixing (two layers).
8. Thermal insulation panel.
9. Flexible sheet for waterproofing (optional).
10. Reinforcing profile.
11. Lintel profile.
12. Elastic joint.
13. Rendering system.
14. Dripping water profile.
15. Expansion joint profile.



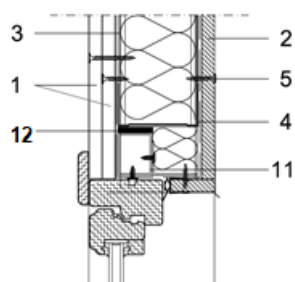
**Figure A7.1.1:** Connection with structural floor.



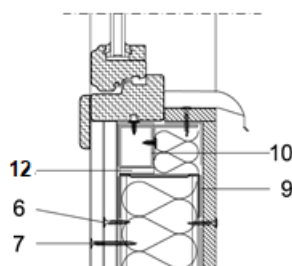
**Figure A7.1.2:** Horizontal cross-section.



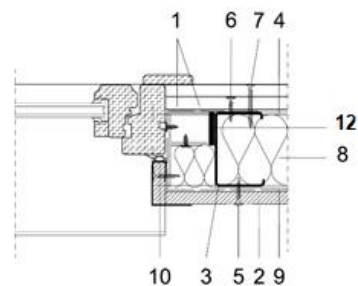
**Figure A7.1.3:** Connection with column.



**Figure A7.1.4:** Lintel.



**Figure A7.1.5:** Sill.



**Figure A7.1.6:** Jamb.

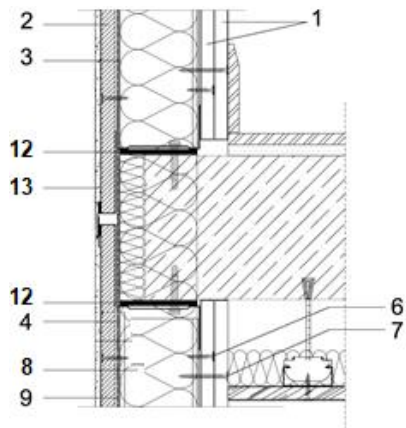


Figure A7.1.7: Control horizontal joint.

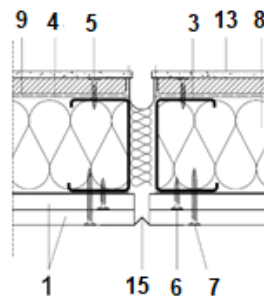


Figure A7.1.8: Expansion vertical joint.

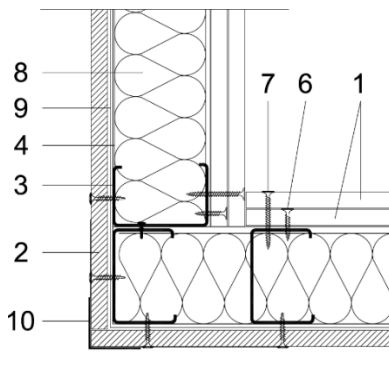


Figure A7.1.9: Convex corner.

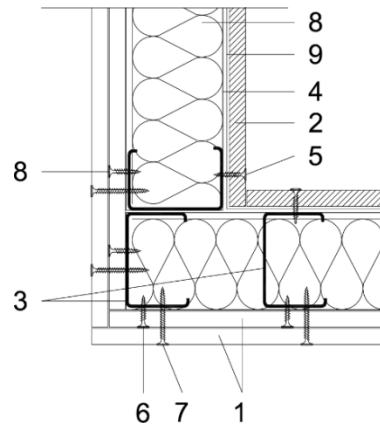


Figure A7.1.10: Concave corner.

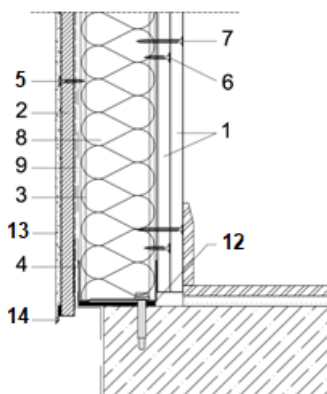


Figure A7.1.11: Base edge.

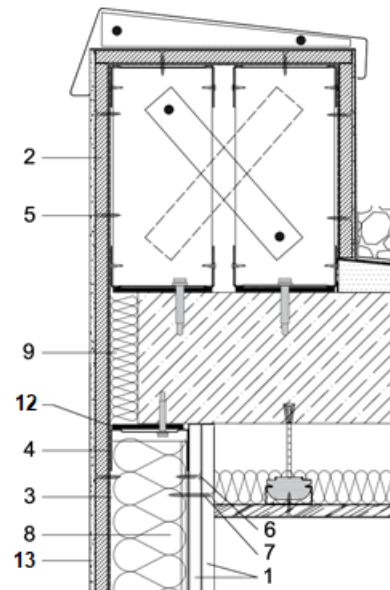


Figure A7.1.12: Roof edge.

## A7.2 – DOUBLE WALL WITHOUT INTERMEDIATE BOARD (Family 3)

### Legend for Family 3 kit (double wall):

1. Internal-board (x2).
2. External board Glasroc® X.
3. External vertical profile.
4. External horizontal profil (rail).
5. Internal vertical profile.
6. Internal horizontal profil (rail).
7. External board-fixing.
8. Internal board-fixing (one layer).
9. Internal board-fixing (two layers).
10. Thermal insulation panel.
11. Flexible sheet for waterproofing (optional).
12. Rendering system.
13. Expansion joint profile.
14. Reinforcing profile for corners.
15. Ancillary reinforcing profile.
16. Sealent.
17. Dripping water profile.

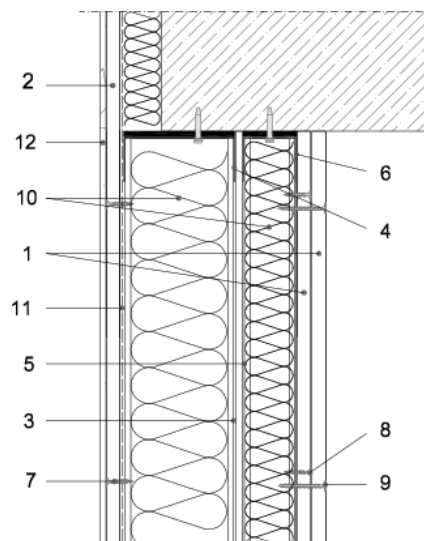


Figure A7.2.1: Connection with structural floor.

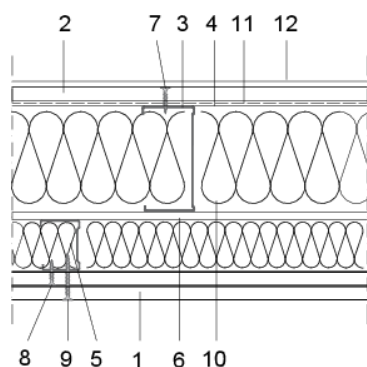


Figure A7.2.2: Horizontal cross-section.

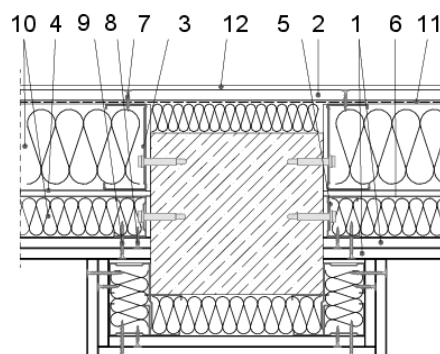


Figure A7.2.3: Connection with column.

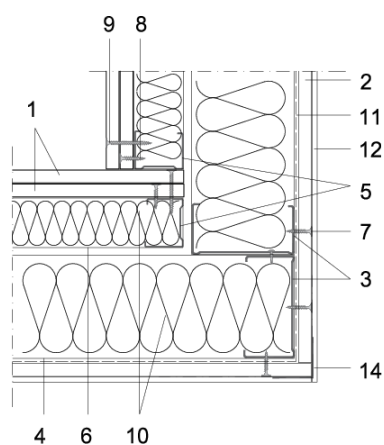


Figure A7.2.4: Convex corner.

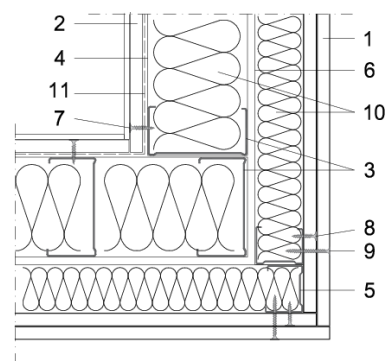


Figure A7.2.5: Concave corner.

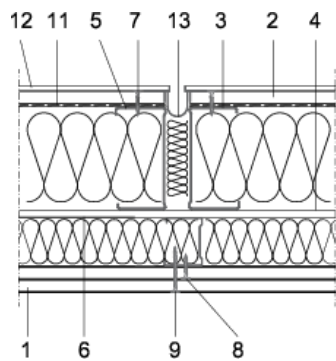


Figure A7.2.6: Control joint.

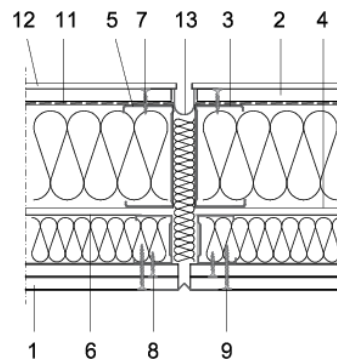


Figure A7.2.7: Expansion joint.

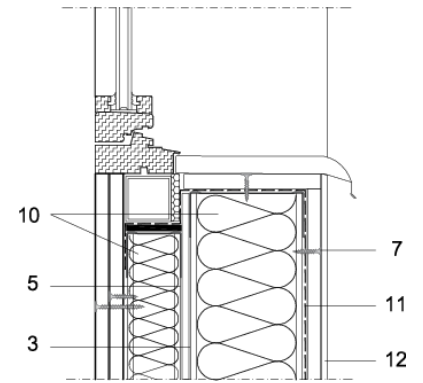


Figure A7.2.8: Sill.

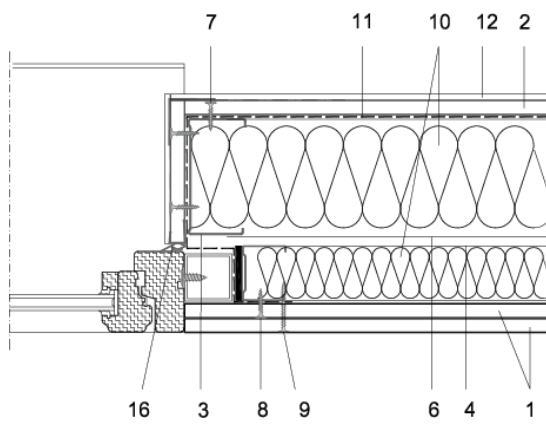


Figure A7.2.9: Jamb.

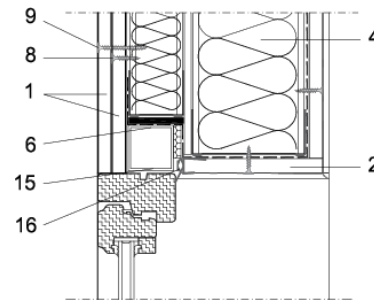


Figure A7.2.10: Lintel.

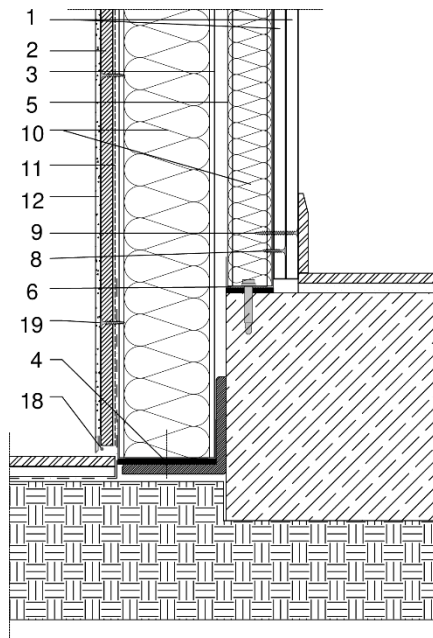


Figure A7.2.11: Base edge.

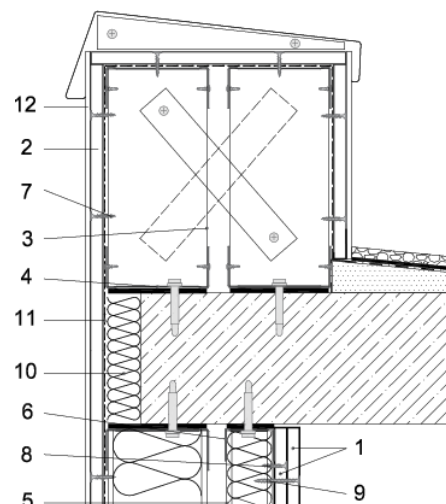


Figure A7.2.12: Roof edge.

## ANNEX 8 – THERMAL TRANSMITTANCE AND $f_{Rsi}$ VALUES

The following tables show the thermal transmittances and  $f_{Rsi}$  values for the representative configuration of assembled systems for Family 1 and Family 3.

These values have been calculated according to EN ISO 10211 and for the following boundary conditions and characteristics of components.

### Boundary conditions:

- Exterior temperature: 2,6 °C
- Exterior relative humidity: 86 %
- Interior temperature: 20 °C
- Interior relative humidity: 55 %

### A8.1 – SINGLE WALL WITHOUT INTERNAL HORIZONTAL PROFILE (Family 1)

Component	Dimensions (mm)	$\lambda$ (W/(m·K))	$\mu$	Reference	
Rendering system	5,0	0,44	10	EN ISO 10456	
External board Glasroc® X	12,5	0,30	66	EN 15283-1	
External subframe	C profile	C75x50x2	50	$\infty$	EN ISO 10456
		C100x50x2			
	U profile	U75x50x0,7			
		U100x50x0,7			
Thermal insulation (MW)	75	0,038	1	EN 13162	
	100				
Internal gypsum board Placo® PPH	12,5 (x2)	0,25	10	EN ISO 10456	

Cross-section	Subframe	Equivalent thermal transmittance $U_{eq}$ (W/m <sup>2</sup> ·K) (i)	Subframe thermal transmittance $U_{subframe}$ (W/m <sup>2</sup> ·K)	Linear thermal transmittance, (W/m·K)		Factor $f_{Rsi}$ (ii)
				$\Psi_{ext}$	$\Psi_{int}$	
Normal cross-section (i)	C75x50x2,0 600 mm span	0,56	---	---		0,74
	C75x50x2,0 400 mm span	0,63	---	---		0,74
	C100x50x2,0 600 mm span	0,47	---	---		0,75
	C100x50x2,0 400 mm span	0,54	---	---		0,75
Connection with structural concrete floor (iii)	All	---	---	0,16	0,26	0,69
Connection with column (iv)	All	---	---	0,07	0,07	0,78
Convex corner	All	---	---	0,02	0,16	0,57
Concave corner	All	---	---	0,27	0,13	0,75

**Thermal transmittance and  $f_{Rsi}$  values  
Glasroc® X non-load bearing external wall systems (Family 1)**

**Annex A8.1**  
of European Technical  
Assessment ETA 23/0878

**Table A8.1.2:** Thermal transmittance and  $f_{Rsi}$  values (Family 1).

Cross-section		Subframe	Equivalent thermal transmittance $U_{eq}$ (W/m <sup>2</sup> ·K) (i)	Subframe thermal transmittance $U_{subframe}$ (W/m <sup>2</sup> ·K)	Linear thermal transmittance, (W/m·K)		Factor $f_{Rsi}$ (ii)
					$\Psi_{ext}$	$\Psi_{int}$	
Internal window (v)	Lintel	All	---	5,7	0,13	0,07	0,44
				4,0	0,10	0,05	0,63
				3,2	0,08		0,69
				2,2	0,07		0,06
				1,8			
	Window sill	All	---	5,7	0,17	0,03	0,49
				4,0	0,13	0,04	0,65
				3,2	0,12	0,05	0,70
				2,2	0,10	0,06	0,71
				1,8		0,07	0,72
	Jamb	All	---	5,7	0,21	0,15	0,37
				4,0	0,18	0,14	0,57
				3,2	0,17		0,62
				2,2		0,15	0,65
				1,8			

(i) Opaque areas values, including vertical profiles. Holes in the envelope are not considered. Surface thermal resistance are included.

(ii) For normal cross-sections and singular points, minimum values are considered.

(iii) 30 cm structural concrete floor covered by 33 mm insulation and external board.

(vi) 20 cm concrete column covered by 25 mm insulation board and external board and a double plate internal layer with 40 mm insulation.

(v) Range of values for thermal transmittances between 1,80 W/m<sup>2</sup>·K and 5,70 W/m<sup>2</sup>·K.

“---” = not applicable.



**A8.2 – DOUBLE WALL WITHOUT INTERMEDIATE BOARD (Family 3)**

Component	Dimensions (mm)	$\lambda$ (W/(m·K))	$\mu$	Reference	
Rendering system	5,0	0,44	10	EN ISO 10456	
External.board Glasroc® X	12,5	0,30	66	EN 15283-1	
External subframe	C profile	C75x50x2	50	$\infty$	EN ISO 10456
		C100x50x2			
	U profile	U75x50x0,7			
		U100x50x0,7			
Internal subframe	C profile	C48x36x0,6	50	$\infty$	EN ISO 10456
		C70x38x0,6			
	U profile	C48x36x0,55			
		C70x38x0,55			
Thermal insulation (MW)	75	0,038	1	EN 13162	
	100				
Internal gypsum board Placo®, Rigips, British Gypsum & Gyproc	12,5 (x2)	0,25	10	EN ISO 10456	

Cross-section	Subframe	Equivalent thermal transmittance $U_{eq}$ (W/m <sup>2</sup> ·K) (i)	Subframe thermal transmittance $U_{subframe}$ (W/m <sup>2</sup> ·K)	Linear thermal transmittance, (W/m·K)		Factor $f_{Rsi}$ (ii)
				$\Psi_{ext}$	$\Psi_{int}$	
Normal cross-section (i)	Ext:C75x50x1,0 / Int:C48x36x0,6 600 mm span	0,38	---	---	---	0,88
	Ext:C75x50x2,0 / Int:C48x36x0,6 600 mm span	0,40	---	---	---	0,87
	Ext:C75x50x1,0 / Int:C48x36x0,6 400 mm span	0,44	---	---	---	0,88
	Ext:C75x50x2,0 / Int:C48x36x0,6 400 mm span	0,46	---	---	---	0,87
	Ext:C75x50x1,0 / Int:C70x38x0,6 600 mm span	0,35	---	---	---	0,88
	Ext:C75x50x2,0 / Int:C70x38x0,6 600 mm span	0,35	---	---	---	0,88
	Ext:C75x50x1,0 / Int:C70x38x0,6 400 mm span	0,41	---	---	---	0,88
	Ext:C75x50x2,0 / Int:C70x38x0,6 400 mm span	0,42	---	---	---	0,88
	Ext:C100x50x1,0 / Int:C48x36x0,6 600 mm span	0,35	---	---	---	0,88
	Ext:C100x50x2,0 / Int:C48x36x0,6 600 mm span	0,36	---	---	---	0,88
	Ext:C100x50x1,0 / Int:C48x36x0,6 400 mm span	0,40	---	---	---	0,89
	Ext:C100x50x2,0 / Int:C48x36x0,6 400 mm span	0,44	---	---	---	0,87
	Ext:C100x50x1,0 / Int:C70x38x0,6 600 mm span	0,32	---	---	---	0,89
	Ext:C100x50x2,0 / Int:C70x38x0,6 600 mm span	0,33	---	---	---	0,88
	Ext:C100x50x1,0 / Int:C70x38x0,6 400 mm span	0,37	---	---	---	0,89
	Ext:C100x50x2,0 / Int:C70x38x0,6 400 mm span	0,40	---	---	---	0,88

**Thermal transmittance and  $f_{Rsi}$  values  
Glasroc® X non-load bearing external wall systems (Family 3)**

**Annex A8.2**  
of European Technical  
Assessment ETA 23/0878



**Table A8.2.2:** Thermal transmittance and  $f_{Rsi}$  values (Family 3).

Cross-section	Subframe	Equivalent thermal transmittance $U_{eq}$ (W/m <sup>2</sup> ·K) (i)	Subframe thermal transmittance $U_{subframe}$ (W/m <sup>2</sup> ·K)	Linear thermal transmittance, (W/m·K)		Factor $f_{Rsi}$ (ii)		
				$\Psi_{ext}$	$\Psi_{int}$			
Connection with structural concrete floor (iii)	All	---	---	0,11	0,17	0,94		
Connection with column (iv)	All	---	---	0,19	0,19	0,94		
Convex corner	All	---	---	0,07	0,16	0,96		
Concave corner	All	---	---	0,02	0,11	0,95		
Internal window (v)	Lintel	All	---	5,7	0,28	0,17	0,90	
				4,0	0,24			
				3,2	0,23			
				2,2-1,8	0,21	0,18		
	Window sill	All	---	---	5,7	0,34	0,17	0,91
					4,0	0,27		
					3,2	0,25		
					2,2	0,23	0,18	
	Jamb	All	---	---	5,7	0,22	0,18	0,92
					4,0	0,25		
					3,2	0,24		
					2,2-1,8	0,22		
External window (v)	Lintel	All	---	5,7	0,08	0,15	0,96	
				4,0	0,10			
				3,2	0,11			
				2,2	0,12			
	Window sill	All	---	---	1,8	0,13	0,17	0,96
					5,7	0,11		
					4,0	0,12		
					3,2	0,13		
	Jamb	All	---	---	2,2	0,14	0,21	0,96
					1,8	0,15		
					5,7	0,14		
					4,0	0,15		
Jamb	All	---	---	3,2	0,15	0,19	0,96	
				2,2	0,16			
				2,2	0,16			
				1,8	0,17			

(i) Opaque areas values, including vertical profiles. Holes in the envelope are not considered. Surface thermal resistance are included.

(ii) For normal cross-sections and singular points, minimum values are considered.

(iii) 30 cm structural concrete floor covered by 33 mm insulation and external board.

(iv) 20 cm concrete column covered by 25 mm insulation board and external board and a double plate internal layer with 40 mm insulation.

(v) Range of values for thermal transmittances between 1,80 W/m<sup>2</sup>·K and 5,70 W/m<sup>2</sup>·K.

"---" = not applicable.

## ANNEX 9 - DESIGN, INSTALLATION, MAINTENANCE AND REPAIR CRITERIA

### A9.1 Design

The design of the non-load bearing external wall systems using the kits defined in this ETA should observe the following criteria:

- The assembled system design must be checked by calculation taking into account the mechanical characteristic values of relevant components (boards, profiles and fixings) in order to resist the actions (dead loads, wind loads, etc.) applying on the specific works. National safety factors must be used.
- The distances between vertical profiles must be 600 mm or 400 mm.
- The design must also accommodate specified thermal movements of components and also structural movements of the supporting structure without inducing damage to the assembled system or components.
- The assembled system design must be carried out following the standard construction details given in Annex 7. For specific conditions of the works, other solutions could be used taking into account the following aspects:
  - The weakest points of the façade are the connections with the openings (lintel, sill and jamb), the connections with the structural floors, and, in the case of the complete building envelope, the continuity and the complete application of the rendering system on the external board. Therefore, the design of these points requires special attention.
  - Flexible sheet of waterproofing is an optional component. However, in general, the use of flexible sheet of waterproofing in the assembled system is recommended by the ETA holder.
  - Vapour control sheet is an optional component that can be used to decrease risk of water condensation.
- Corrosion protection of subframe components must be chosen taking into account the category of corrosivity of the atmosphere (see EN ISO 9223) in which will be the works.
- Fixings between horizontal profiles (rails) and supporting structure must be chosen according to the supporting structure material and minimum resistance required due to, e.g, maximum wind load (shear strength).
- The assessment of risk of water condensation of the complete solution in the case of substrate wall systems (e.g. by means of EN ISO 13788) must distinguish between ventilated and non-ventilated façade.
- The assembled systems without rendering systems used as substrate wall may be used as the following generic exterior finishings and specifications:
  - Façade systems with mechanically fixed subframe, according to the relevant EAD, in which the supporting cladding devices (e.g. supporting brackets) must be fixed on the supporting structure of the building and must not be fixed on the substrate wall. Retaining devices (e.g. retaining brackets) may be fixed on the substrate wall subframe profiles considering the values for excentric vertical load and pull-out given in table A1.2.3 in clause A1.2 of Annex 1.
  - In the case of façade systems with open joints (in ventilated façades) the substrate wall must always include the flexible sheet for waterproofing.
  - Bonded exterior finishings (e.g. ETICS, tiles, etc.) shall be assessed considering the bonding performance on each exterior-board material.

## A9.2 Installation

The installation of the non-load bearing external wall systems using the kits defined in this ETA should observe the following criteria:

- The installation of the kits must be carried out in accordance with ETA holder instructions and the design and drawings prepared for the specific works. It is the responsibility of the ETA holder to ensure that the information on these provisions is given to those concerned.
- Special attention is required for the installation of the weakest points of the façade (connections with the openings (lintel, sill and jamb), the connections with the structural floors, and, in the case of complete building envelope, the continuity and the complete application of the rendering system on the external board).
- The installation of the kits must be carried out by installation companies and by installation staff which have been trained and authorized by the ETA holder.

## A9.3 Maintenance and repair

Maintenance of the assembled systems or kit components includes inspections on site, taking into account the following aspects:

- Regarding the rendering systems and boards: the appearance of any damage such as cracking, detachment, delamination, mould presence due to permanent moisture or permanent irreversible deformation.
- Regarding the subframe components: the presence of corrosion or presence of water accumulation.

When necessary, any repair to localised damaged areas must be carried out with the same kit components and following the repair instructions given by the ETA holder.